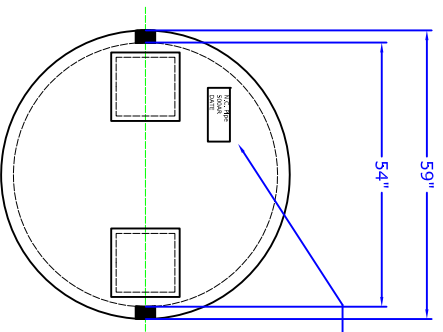


Product Details

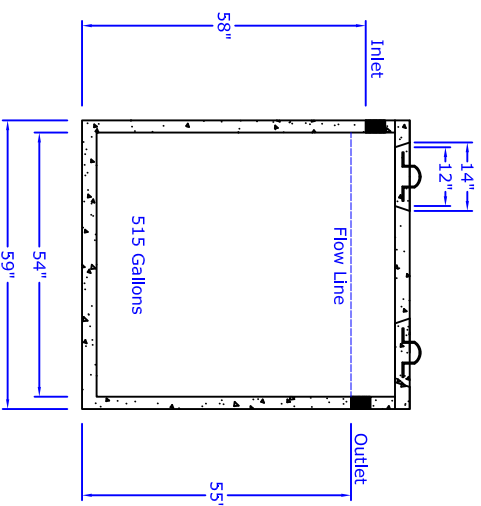
500 Gallon Round Trash Tank

Model: 500AR



Stamp Indicating:
 Manufacturer: N.C. Pipe
 Model: 500AR
 Date Manufactured:

PLAN VIEW



ELEVATION VIEW

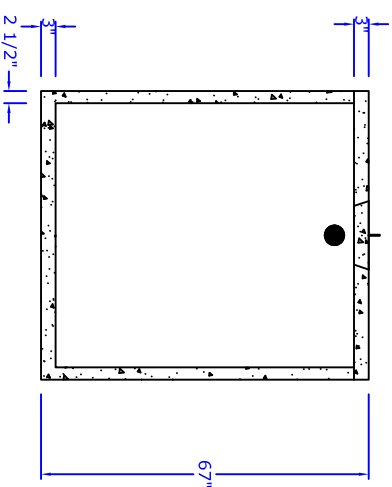
Drawn by: A.S.	Scale: 1/4"=1'
4	
3	
2	
1	
0	12/20/2007
REV.	DATE
	DESCRIPTION
	New Drawing

N.C. Pipe Precast Products
 9235 Main Street
 Needville, TX 77461
 888-331-5871
 www.ncpipe.com

Dwg. #: OSF500AR-A

CONSTRUCTION NOTES:

- Designation:** ASTM C 1227, Title 30 Texas Administrative Code chapter 285 and meets all state and local plumbing codes.
- Strength:** Class 1 Concrete, minimum 4000 psi @ 28 days.
- Reinforcement:** Welded wire fabric comply's with ASTM A82, bars conform to ASTM A 615 Grade 60. Bar bending and placement shall comply with the latest ACI Standards.
- Sealant:** All joints sealed using mastic rope sealant meeting ASTM C 990-91.
- Design Loading:** Standard non-traffic duty and built of monolithic construction. Please Consult with N.C. Pipe for traffic-duty requirements.
- Max. Burial Depth:** 0 to 3' (if deeper installations are required consult with N.C. Pipe)
- Pipe Penetrations:** All pipe penetrations fitted with 4" seals conforming to ASTM C1227 standards.
- Weights:** Bottom Section: 2,700 lbs., Slab Top Section: 700 lbs.
- Piping/Baffles:** Inlet/outlet PVC "T" branch fittings/piping optional (not shown for drawing clarity).
- Lifting:** All lifting lugs and handles shall be rated at four times the maximum intended load and meet applicable ASTM standards. Consult with manufacturer prior to lifting.



SIDE VIEW



" Providing Concrete Environmental Solutions "