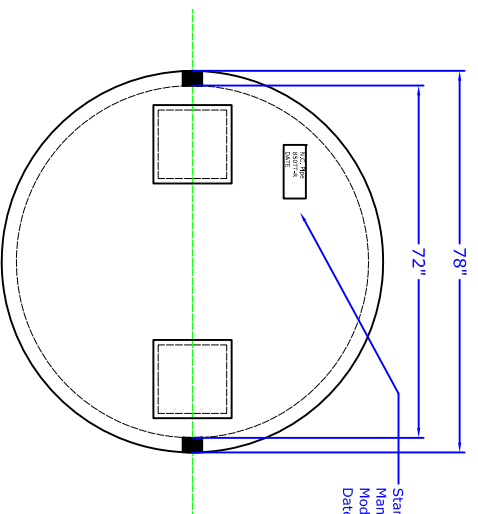


# Product Details

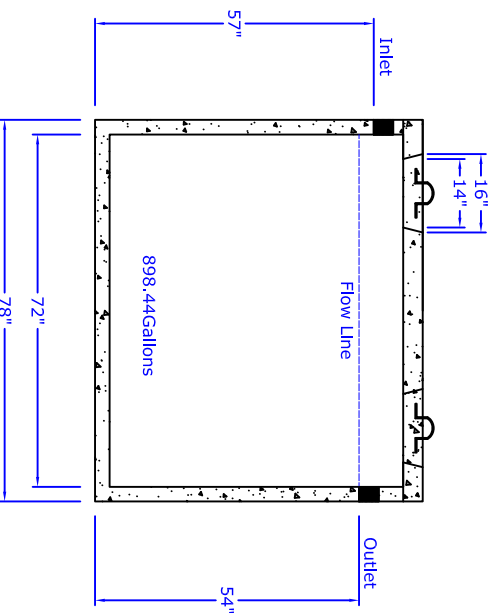
## 850 Gallon Round Trash Tank

### Model: 850TT-R



Stamp Indicating:  
 Manufacturer: N.C. Pipe  
 Model: 850TT-R  
 Date Manufactured:

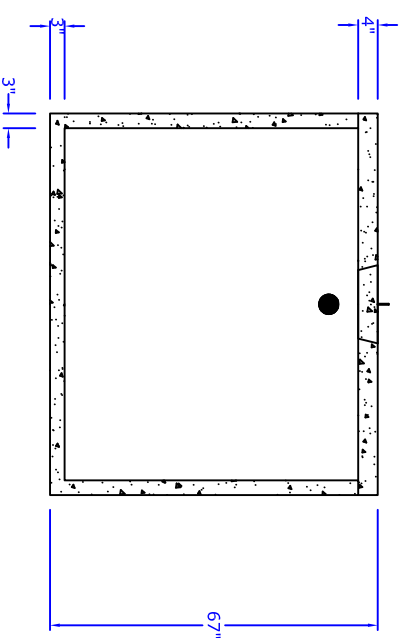
### PLAN VIEW



### ELEVATION VIEW

#### CONSTRUCTION NOTES:

- Designation:** ASTM C 1227, Title 30 Texas Administrative Code chapter 285 and meets all state and local plumbing codes, Class 1 Concrete, minimum 4000 psi @ 28 days.
- Strength:** Welded wire fabric comply's with ASTM A82, bars conform to ASTM A 615 Grade 60. Bar bending and placement shall comply with the latest ACI Standards.
- Reinforcement:** All joints sealed using mastic rope sealant meeting ASTM C 990-91.
- Sealant:** Standard non-traffic duty and built of monolithic construction. Please Consult with N.C. Pipe for traffic-duty requirements.
- Design Loading:** 0 to 3' (if deeper installations are required consult with N.C. Pipe)
- Max. Burial Depth:** All pipe penetrations fitted with 4" seals conforming to ASTM C1227 standards.
- Pipe Penetrations:** Bottom Section: 4,600 lbs., Slab Top Section: 1,600 lbs. Inlet/outlet PVC "T" branch fittings/piping optional (not shown for drawing clarity).
- Weights:** All lifting lugs and handles shall be rated at four times the maximum intended load and meet applicable ASTM standards. Consult with manufacturer prior to lifting.
- Piping/Baffles:**
- Lifting:**



### SIDE VIEW

Drawn by: A.S.	Scale: 1/4"=1'
4	
3	
2	
1	
0	12/29/2007
REV.	DATE
	DESCRIPTION
	New Drawing

**N.C. Pipe Precast Products**  
 9235 Main Street  
 Needville, TX 77461  
 888-331-5871  
 www.ncpipe.com

Dwg. #: OSF850-R-A



" Providing Concrete Environmental Solutions "