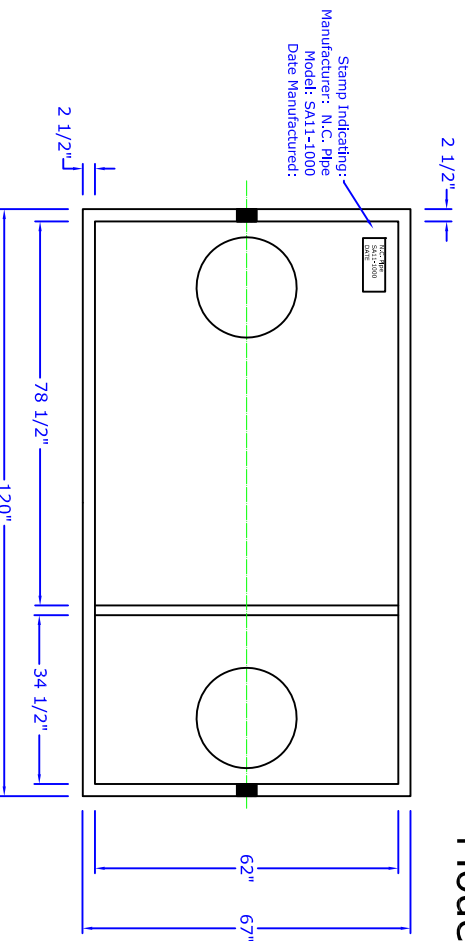


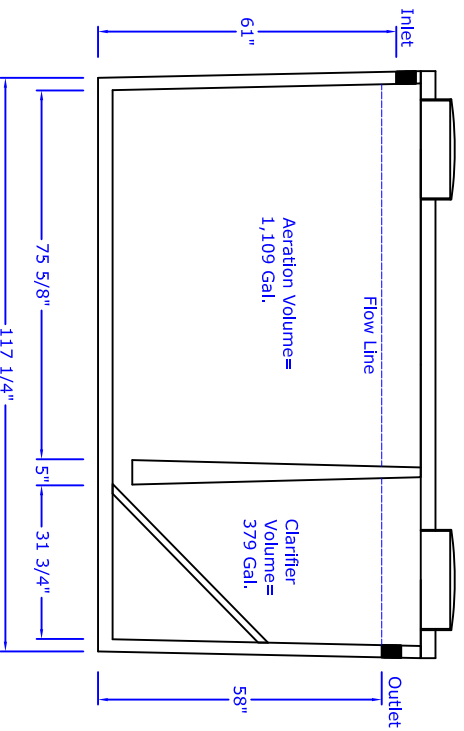
Product Details

Solar Air 1000 GPD Aerobic Treatment Unit

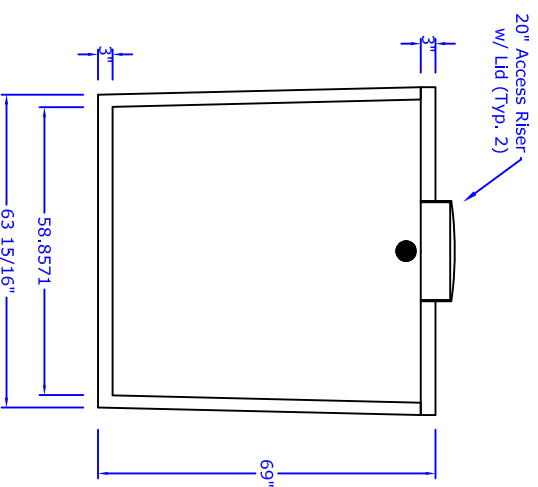
Model: SA 11 1000



PLAN VIEW



ELEVATION VIEW



SIDE VIEW

CONSTRUCTION NOTES:

Structural design specifications conform to latest ASTM C1227 specifications and meet all state and local codes. Unit is built according to and approved by National Wastewater Systems, Inc. Tank and slab top are designed for non-traffic loading. Concrete shall have a minimum 28 day compressive strength of 3500 PSI. Welded wire fabric shall meet ASTM A185. Reinforcing bars shall comply with ASTM A615 grade 60. Bar bending and placement shall comply with the latest ACI standards. All joints sealed using butyl rope mastic sealant meeting ASTM C 990-91 Weight: Tank = 7,490 lbs., Slab Top = 2,050 lbs.

INSTALLATION NOTES:

The structure shall be placed on a compacted sand or granular base to insure uniform distribution of soil pressures. Maximum burial depth shall be 30" from slab top to grade. Please consult with manufacturer prior to lifting.

Drawn by: A.S.	Scale: 1/4"=1'
4	
3	
2	
1	
0	1/16/2008
REV.	DATE
	DESCRIPTION
	New Drawing

N.C. Pipe Precast Products
 9235 Main Street
 Needville, TX 77461
 888-331-5871
 www.ncpipe.com

Dwg. #: OSFSA111000-A



" Providing Concrete Environmental Solutions "