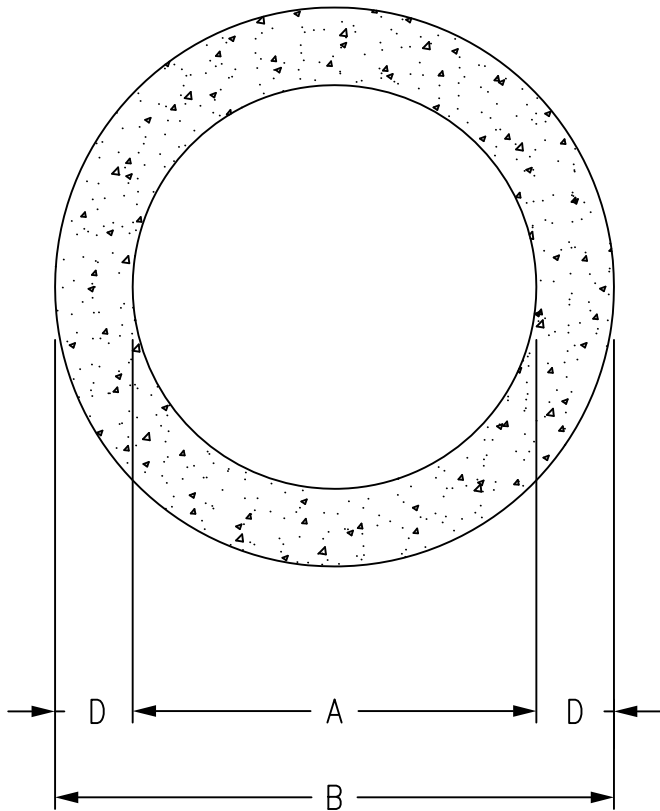
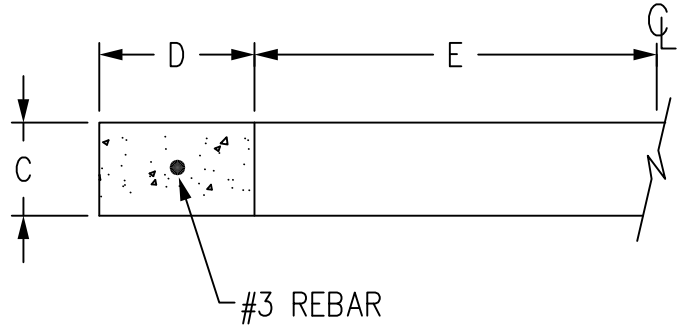


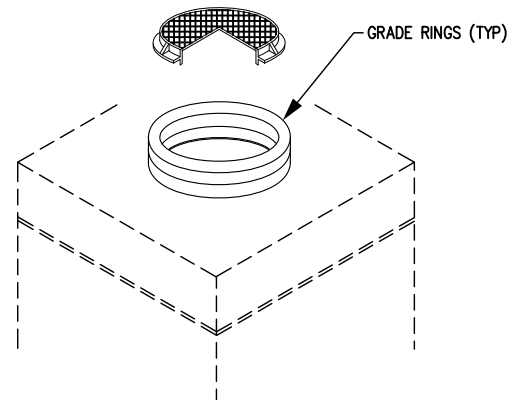
4000 PSI CONCRETE  
GRADE 60 REINFORCING



PLAN VIEW



SECTION VIEW



MODEL	A	B	C	D	E	WEIGHT
GR-24-2	2'-2"	3'-0"	2"	5"	13"	96 LBS
GR-24-3	2'-2"	3'-0"	3"	5"	13"	125 LBS
GR-24-4	2'-2"	3'-0"	4"	5"	13"	150 LBS
GR-32-3	2'-8"	3'-6"	3"	5"	16"	150 LBS
GR-35-3	2'-11"	3'-10"	3"	5 1/2"	17 1/2"	175 LBS
GR-35-4	2'-11"	3'-10"	4"	5 1/2"	17 1/2"	200 LBS



9235 Main Street #1  
P.O. Box 507  
Needville, Texas, 77461  
1-888-331-5871

PRECAST GRADE RINGS

"Providing Concrete Environmental Solutions"

Date: 15 MAR 2013 File: NCGR

Scale: 1"=1'-0"  
\* All Dimensions subject to allowable specification tolerances.

Approved By: \_\_\_\_\_ Date: \_\_\_\_\_