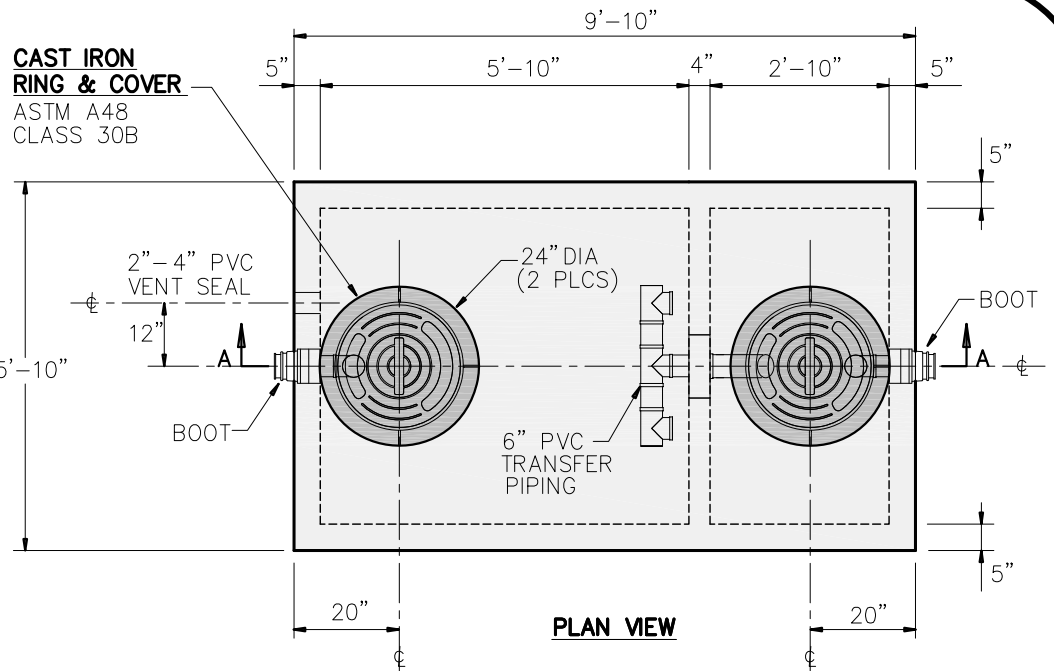
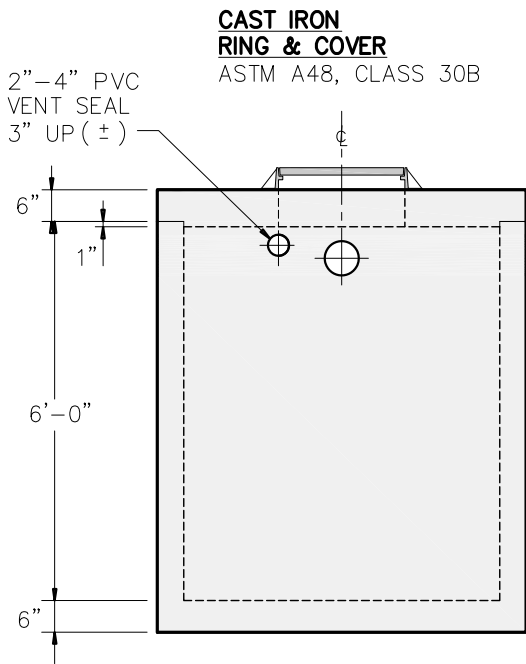


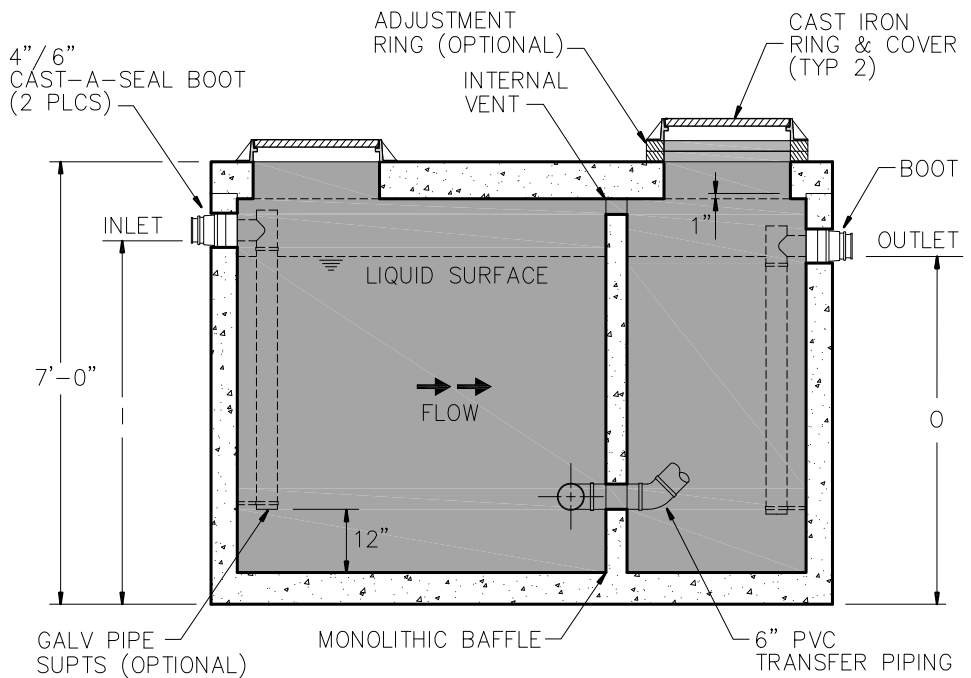
* MINIMUM EXCAVATION
11'-0" X 7'-0"



PLAN VIEW



LEFT ELEVATION



SECTION A-A

NOTE: INLET/OUTLET PVC PIPING TO BE SUPPLIED BY CUSTOMER

GENERAL NOTES:

- DESIGN SPECIFICATIONS CONFORM TO ALL STATE AND LOCAL PLUMBING CODES.
- 4500 PSI CONCRETE AT 28 DAYS
- ASTM A615, GRADE 60 REINFORCING
- HS 20 LOADING

REINFORCEMENT (SLAB TOP)

#4 BARS @ PERIMETER OF THRU HOLE
#4 BARS @ 6" O.C.E.W.

REINFORCEMENT (BOTTOM SECTION)

#4 BARS @ 12" O.C.E.W. WALLS & FLOOR

Gals.	Grease Lbs.	Weight	Flow Rate GPM	
			Avg	Peak
1500	3,700	20,945	10.7	26.7

Inlet/Outlet	4"	6"
I	69"	68"
O	66"	65"



9235 Main Street #1
P.O. Box 507
Needville, Texas, 77461
1-888-331-5871

"Providing Concrete Environmental Solutions"

GREASE INTERCEPTOR
1500 GAL
(HEAVY DUTY)

NC-005-009

Scale: N.T.S.
* All Dimensions subject to allowable specification tolerances.

Date: 10/25/22

Rev Date: 09/21/23

Approved By: _____ Date: _____