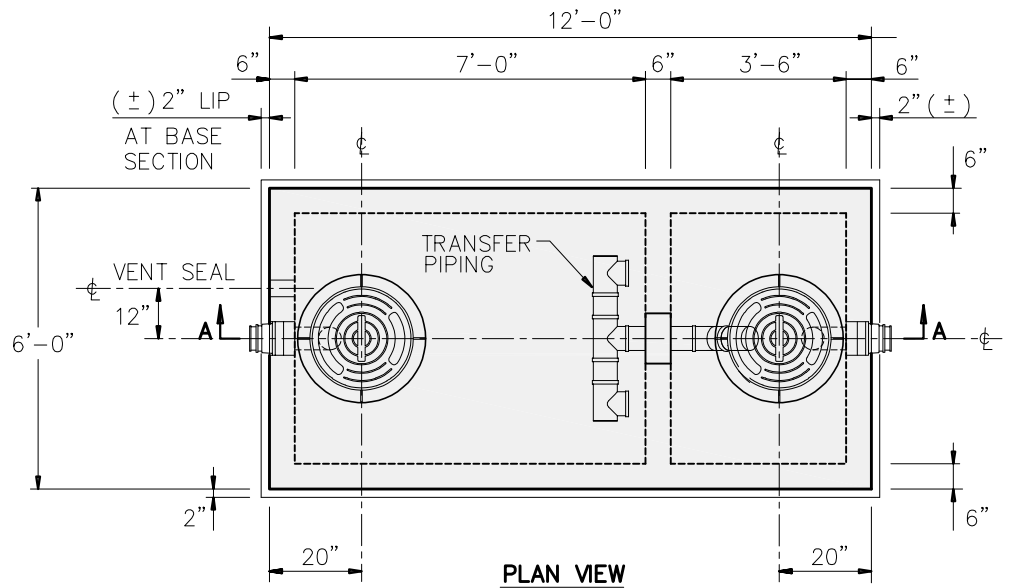
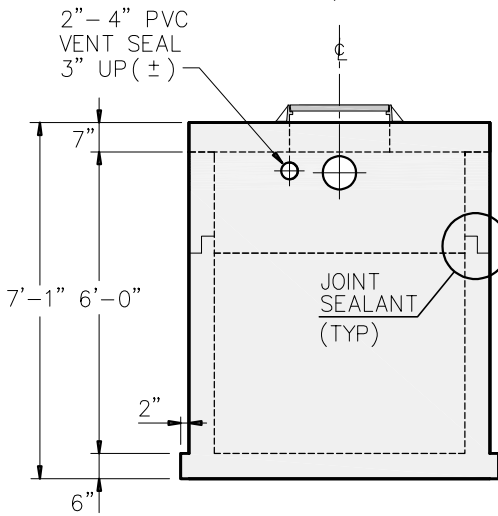


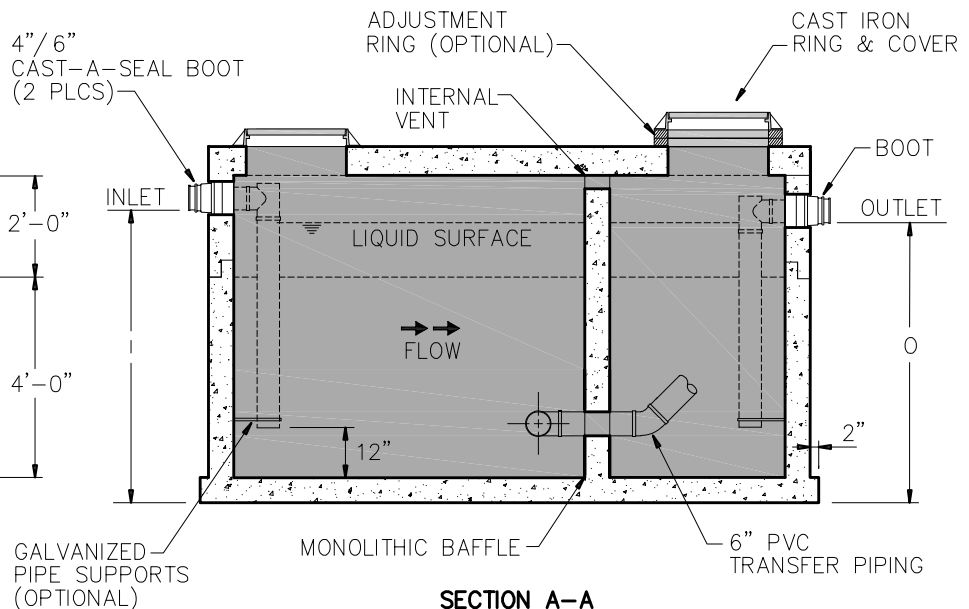
- * MINIMUM EXCAVATION
13'-6" X 7'-6"
- * HEAVIEST PIECE: 16,060 Lbs



CAST IRON RING & COVER (2 EA)
ASTM A48, CLASS 30B



LEFT ELEVATION



SECTION A-A

NOTE: INLET/OUTLET PVC PIPING TO BE SUPPLIED BY CUSTOMER

GENERAL NOTES:

- DESIGN SPECIFICATIONS CONFORM TO ALL STATE AND LOCAL PLUMBING CODES.
- 4500 PSI CONCRETE AT 28 DAYS
- ASTM A615, GRADE 60 REINFORCING
- HS 20 LOADING

REINFORCEMENT (SLAB TOP)

- #5 BARS @ 6" O.C.E.W.
- #4 BARS @ PERIMETER OF THRU HOLE

REINFORCEMENT (BOTTOM SECTION)

- #4 BARS @ 12" O.C.E.W. WALLS & FLOOR

Gals.	Grease Lbs.	Weight	Flow Rate GPM	
			Avg	Peak
2000	4,800	26,560	14.0	36.0

Inlet/Outlet	4"	6"
I	70"	69"
O	67"	66"



9235 Main Street #1
P.O. Box 507
Needville, Texas, 77461
1-888-331-5871

**GREASE INTERCEPTOR
2000 GAL (SHORT)
(HEAVY DUTY)**

"Providing Concrete Environmental Solutions"

NC-005-010

Scale: N.T.S.
* All Dimensions subject to allowable specification tolerances.

Date: 03/15/19

Rev Date: 10/04/22

Approved By: _____ Date: _____