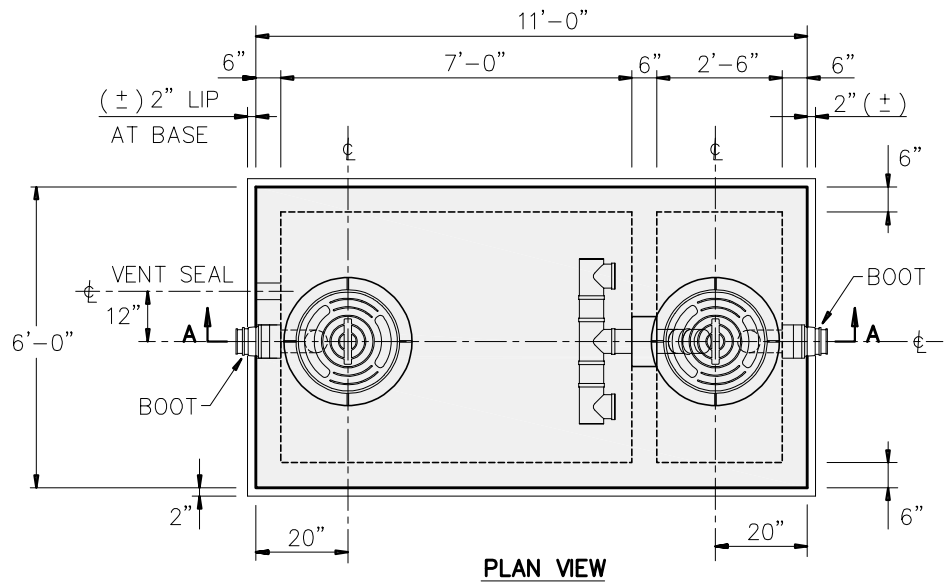
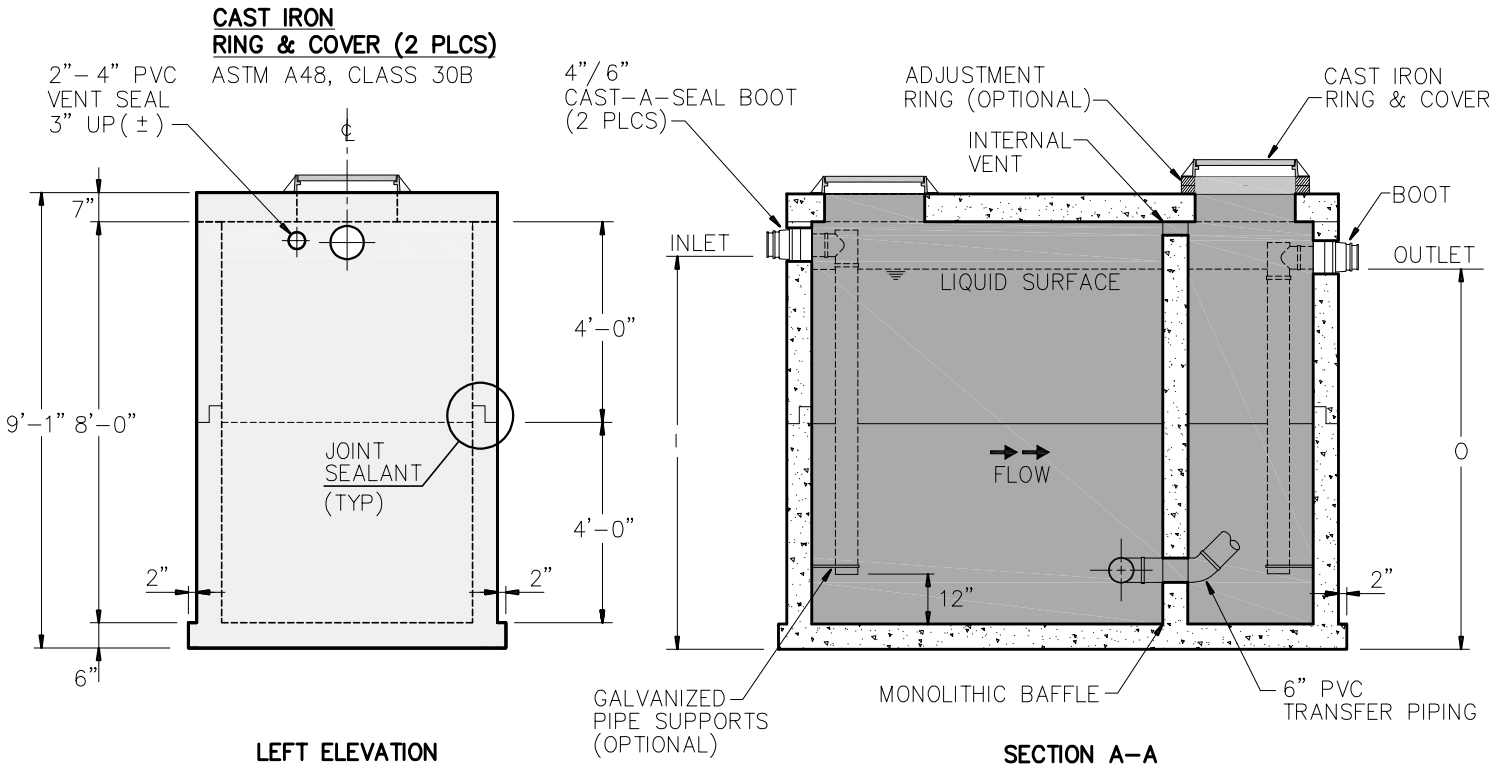


- * MINIMUM EXCAVATION
12'-6" X 7'-6"
- * HEAVIEST PIECE: 15,170 Lbs



PLAN VIEW



LEFT ELEVATION

SECTION A-A

NOTE: INLET/OUTLET PVC PIPING TO BE SUPPLIED BY CUSTOMER

GENERAL NOTES:

- DESIGN SPECIFICATIONS CONFORM TO ALL STATE AND LOCAL PLUMBING CODES.
- 4500 PSI CONCRETE AT 28 DAYS
- ASTM A615, GRADE 60 REINFORCING
- HS 20 LOADING

REINFORCEMENT (SLAB TOP)

- #5 BARS @ 6" O.C.E.W.
- #4 BARS @ PERIMETER OF THRU HOLE

REINFORCEMENT (BOTTOM SECTION)

- #4 BARS @ 12" O.C.E.W. WALLS & FLOOR

Gals.	Grease Lbs.	Weight	Flow Rate GPM	
			Avg	Peak
2500	5,700	31,340	16.7	41.7

Inlet/Outlet	4"	6"
I	94"	93"
O	91"	90"



9235 Main Street #1
P.O. Box 507
Needville, Texas, 77461
1-888-331-5871

GREASE INTERCEPTOR
2500 GAL
(HEAVY DUTY)

"Providing Concrete Environmental Solutions"

NC-005-011

Scale: N.T.S.
* All Dimensions subject to allowable specification tolerances.

Date: 05/15/19

Rev Date: 10/05/22

Approved By: _____ Date: _____