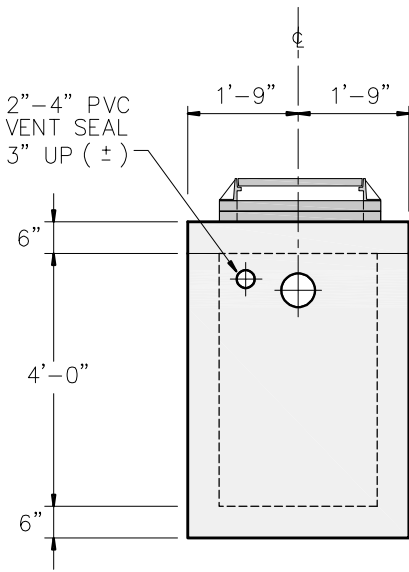
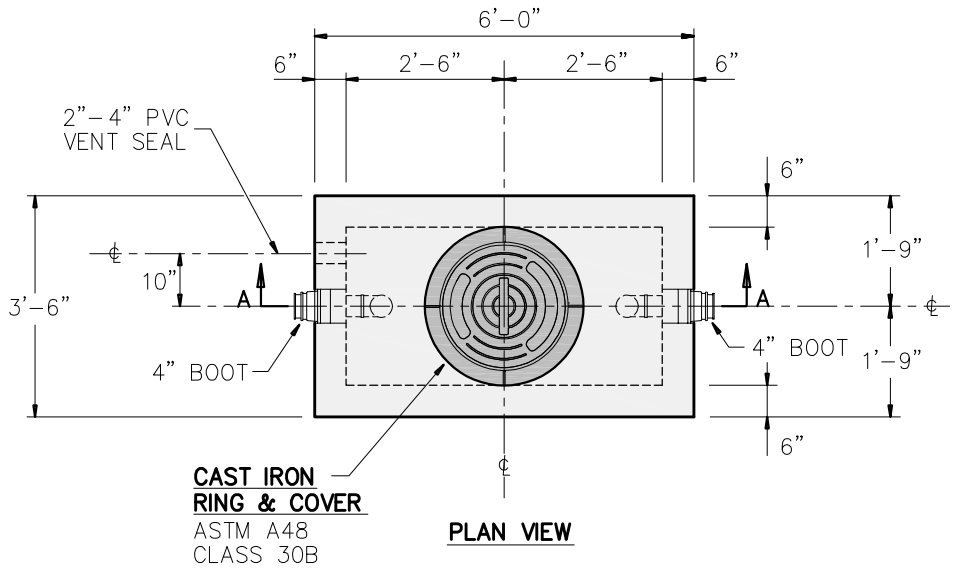
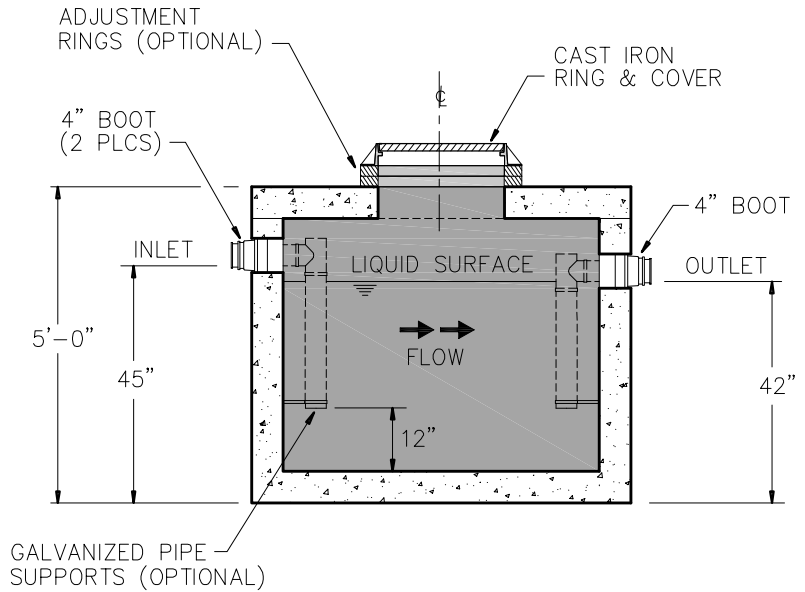


\* MINIMUM EXCAVATION  
7'-0" X 4'-6"



**LEFT ELEVATION**



**SECTION A-A**

**NOTE:** INLET/OUTLET PVC PIPING TO BE SUPPLIED BY CUSTOMER

**GENERAL NOTES:**

- DESIGN SPECIFICATIONS CONFORM TO ALL STATE AND LOCAL PLUMBING CODES.
- 4500 PSI CONCRETE AT 28 DAYS
- ASTM A615, GRADE 60 REINFORCING
- HS 20 LOADING

**REINFORCEMENT (SLAB TOP)**

- #4 BARS @ PERIMETER OF THRU HOLE
- #4 BARS @ 6" O.C.E.W.

**REINFORCEMENT (BOTTOM SECTION)**

- #4 BARS @ 12" O.C.E.W. WALLS & FLOOR

Gals.	Grease Lbs.	Weight	Flow Rate GPM	
			Avg	Peak
250	650	8,130	1.9	4.7



9235 Main Street #1  
P.O. Box 507  
Needville, Texas, 77461  
1-888-331-5871

"Providing Concrete Environmental Solutions"

GREASE INTERCEPTOR  
250 GAL  
(HEAVY DUTY)

NC-005-003

Scale: N.T.S.  
\* All Dimensions subject to allowable specification tolerances.

Date: 07/10/18

Rev Date: 11/07/22

Approved By: \_\_\_\_\_ Date: \_\_\_\_\_