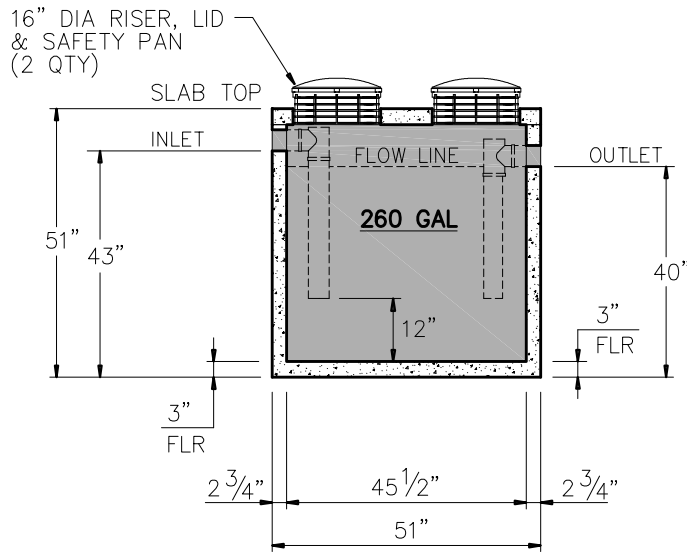
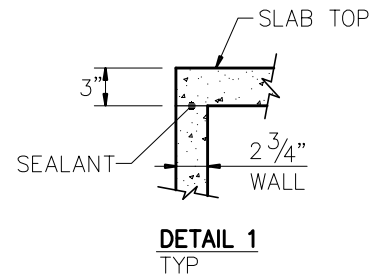


PLAN VIEW
(STANDARD) SLAB TOP – ST-1

W/ 2-16" ID X 6" HEIGHT
 RISER, LID & SAFETY PAN



SECTION A-A



NOTE:

• INLET/OUTLE PVC PIPING TO BE SUPPLIES BY CUSTOMER.

GENERAL NOTES:

- DESIGN SHALL MEET OR EXCEED ASTM C-1227 SPECIFICATIONS
- 4000 PSI CONCRETE AT 28 DAYS
- ASTM A615, GRADE 60 REINFORCING
- BAR BENDING AND PLACEMENT PER ACI STANDARDS.

- * RECOMMENDED FOR OSSF USE
- * NOT FOR USE IN TRAFFIC LOADING

Gals.	Grease Lbs.	Weight	Flow Rate GPM	
			Avg	Peak
260	740	3370	2	5



9235 Main Street #1
 P.O. Box 507
 Needville, Texas, 77461
 1-888-331-5871

"Providing Concrete Environmental Solutions"

250 GALLON
 COMMERCIAL GREASE TRAP
 LIGHT DUTY LOADING

NC-005-016

Scale: N.T.S.
 * All Dimensions subject to allowable specification tolerances.

Date: 05/30/24

Rev Date:

Approved By: _____ Date: _____