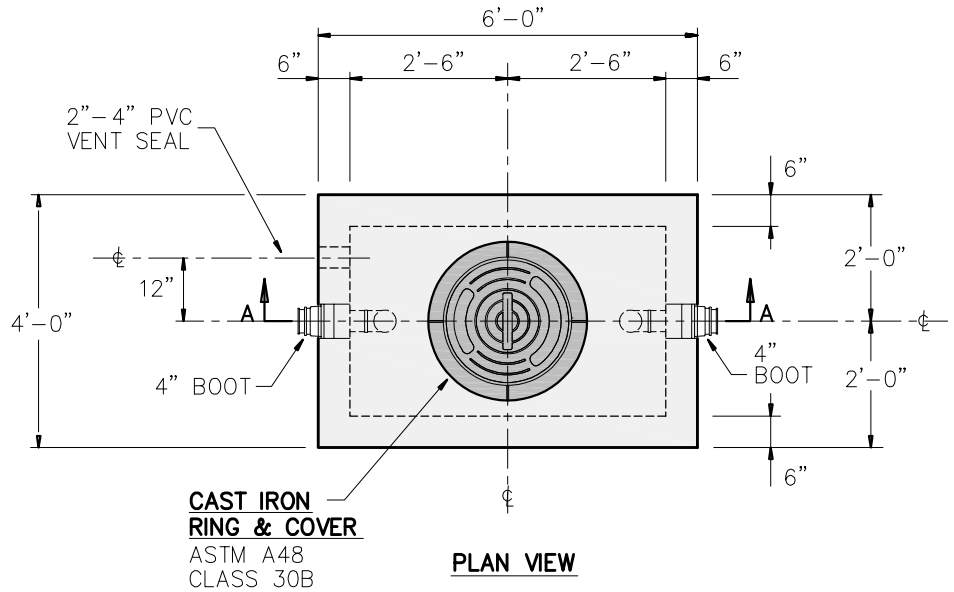
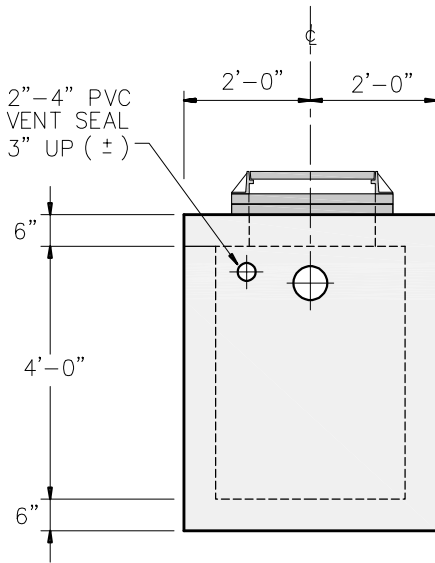


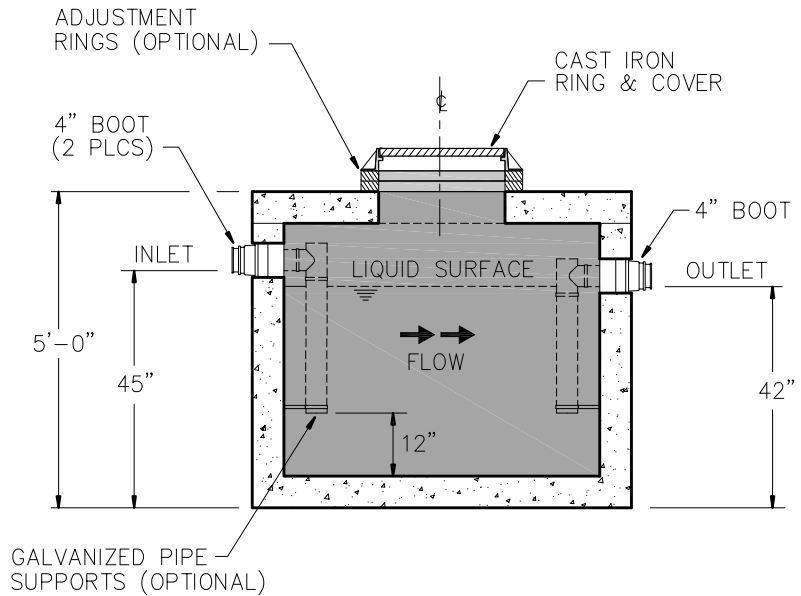
* MINIMUM EXCAVATION
7'-0" X 5'-0"



PLAN VIEW



LEFT ELEVATION



SECTION A-A

NOTE: INLET/OUTLET PVC PIPING TO BE SUPPLIED BY CUSTOMER

GENERAL NOTES:

- DESIGN SPECIFICATIONS CONFORM TO ALL STATE AND LOCAL PLUMBING CODES.
- 4500 PSI CONCRETE AT 28 DAYS
- ASTM A615, GRADE 60 REINFORCING
- HS 20 LOADING

REINFORCEMENT (SLAB TOP)

- #4 BARS @ PERIMETER OF THRU HOLE
- #4 BARS @ 6" O.C.E.W.

REINFORCEMENT (BOTTOM SECTION)

- #4 BARS @ 12" O.C.E.W. WALLS & FLOOR

Gals.	Grease Lbs.	Weight	Flow Rate GPM	
			Avg	Peak
300	340	8,880	2.3	5.7



9235 Main Street #1
P.O. Box 507
Needville, Texas, 77461
1-888-331-5871

"Providing Concrete Environmental Solutions"

GREASE INTERCEPTOR
300 GAL
(HEAVY DUTY)

NC-005-004

Scale: N.T.S.
* All Dimensions subject to allowable specification tolerances.

Date: 07/10/18

Rev Date: 11/07/22

Approved By: _____ Date: _____