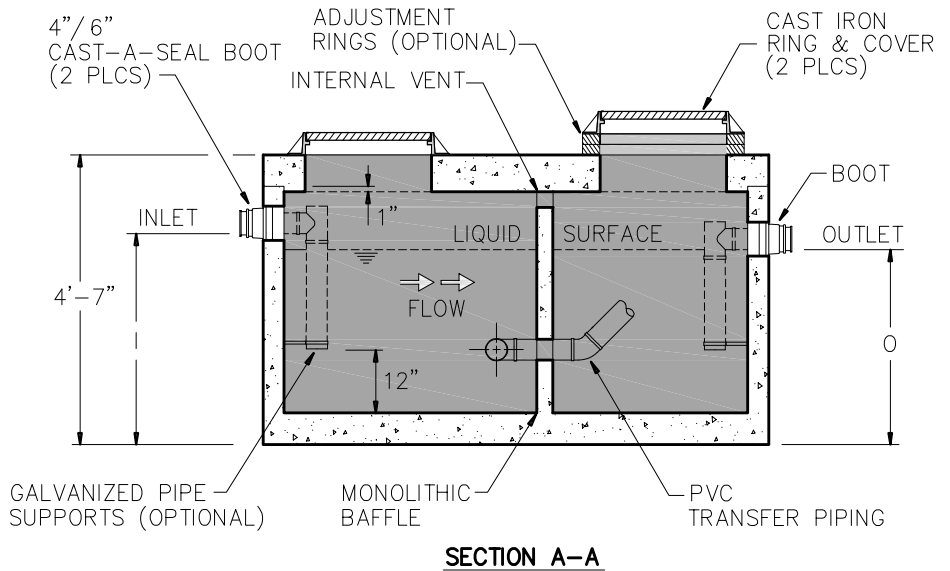
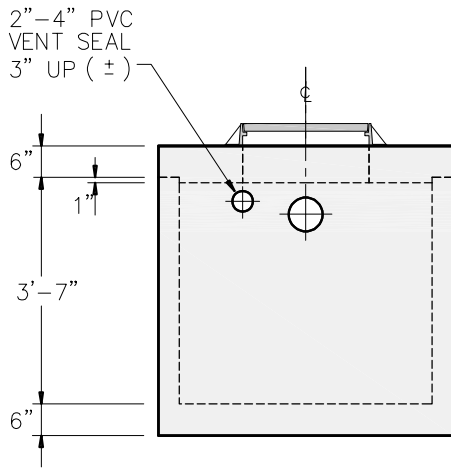
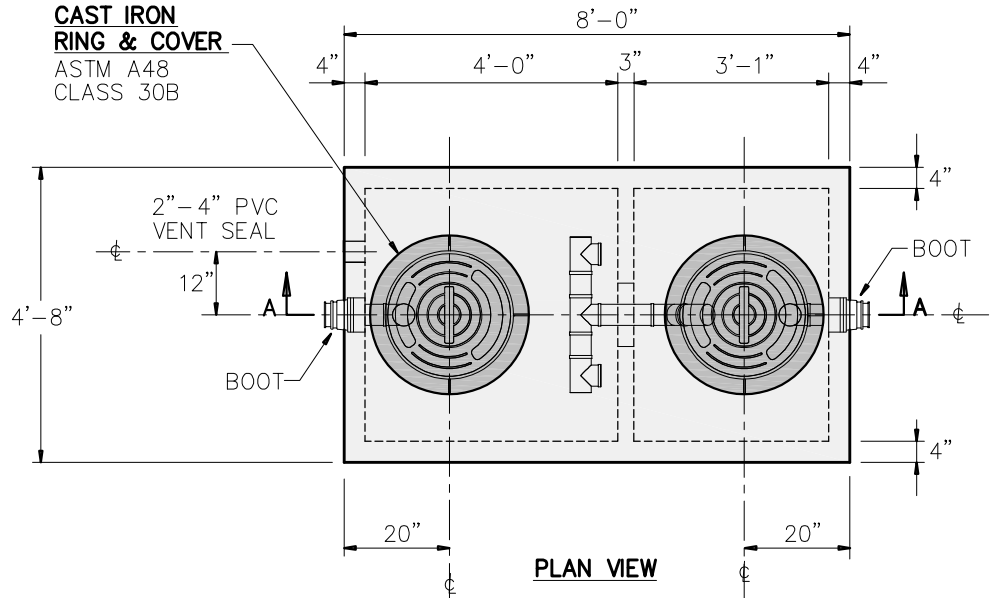


\* MINIMUM EXCAVATION  
9'-0" X 6'-0"



**NOTE:** INLET/OUTLET PVC PIPING TO BE SUPPLIED BY CUSTOMER

**GENERAL NOTES:**

- DESIGN SPECIFICATIONS CONFORM TO ALL STATE AND LOCAL PLUMBING CODES.
- 4500 PSI CONCRETE AT 28 DAYS
- ASTM A615, GRADE 60 REINFORCING
- HS 20 LOADING

**REINFORCEMENT (SLAB TOP)**

#4 BARS @ PERIMETER OF THRU HOLE  
#4 BARS @ 6" O.C.E.W.

**REINFORCEMENT (BOTTOM SECTION)**

#4 BARS @ 12" O.C.E.W. WALLS & FLOOR

Gals.	Grease Lbs.	Weight	Flow Rate GPM	
			Avg	Peak
500	1,300	10,540	3.8	9.5

Inlet/Outlet	4"	6"
I	41"	40"
O	38"	37"



9235 Main Street #1  
P.O. Box 507  
Needville, Texas, 77461  
1-888-331-5871

"Providing Concrete Environmental Solutions"

GREASE INTERCEPTOR  
500 GAL  
(HEAVY DUTY)

NC-005-005

Scale: N.T.S.  
\* All Dimensions subject to allowable specification tolerances.

Date: 06/10/18

Rev Date: 11/28/22

Approved By: \_\_\_\_\_ Date: \_\_\_\_\_