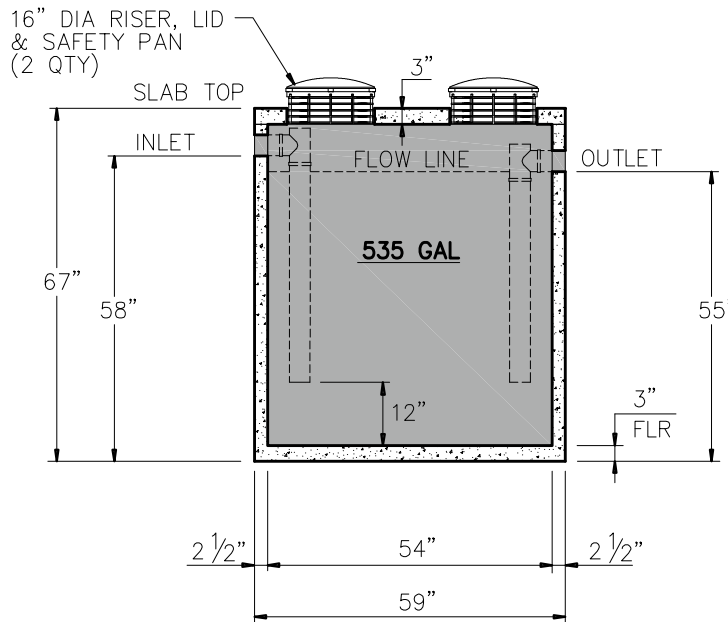
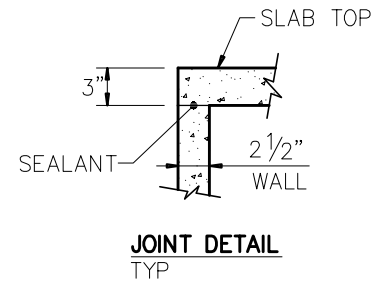


PLAN VIEW
STANDARD SLAB TOP – ST-1
 W/ 2-16" OR 12" ID X 6" HEIGHT
 RISER, LID & SAFETY PAN



SECTION A-A
 W/ 3" OFFSET



NOTE:

- INLET/OUTLET PVC PIPING TO BE SUPPLIED BY CUSTOMER.

GENERAL NOTES:

- DESIGN SHALL MEET OR EXCEED ASTM C-1227 SPECIFICATIONS
- 4000 PSI CONCRETE AT 28 DAYS
- ASTM A615, GRADE 60 REINFORCING
- BAR BENDING AND PLACEMENT PER ACI STANDARDS.

Gals.	Grease Lbs.	Weight	Flow Rate GPM	
			Avg	Peak
500	1,500	4,200	4	11

- * RECOMMENDED FOR OSSF USE
- * NOT FOR USE IN TRAFFIC LOADING



9235 Main Street #1
 P.O. Box 507
 Needville, Texas, 77461
 1-888-331-5871

500 GALLON
 COMMERCIAL GREASE TRAP
 LIGHT DUTY LOADING

"Providing Concrete Environmental Solutions"

NC-005-015

Scale: N.T.S.
 * All Dimensions subject to allowable specification tolerances.

Date: 05/30/24

Rev Date:

Approved By: _____ Date: _____