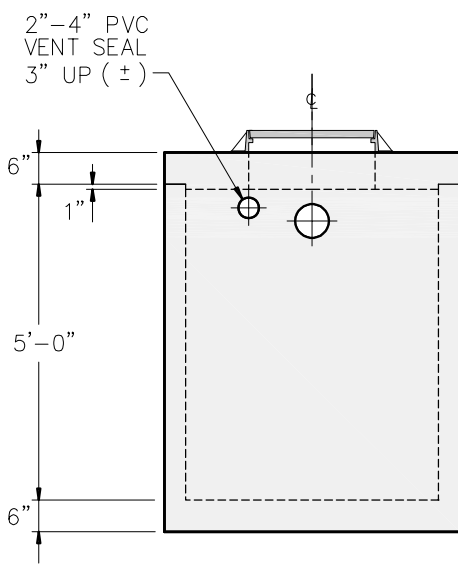
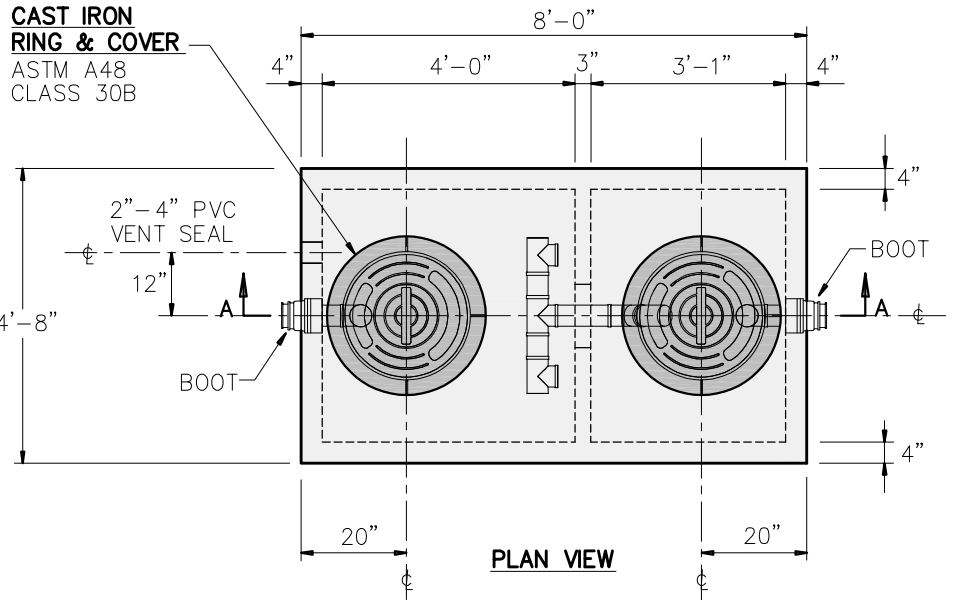
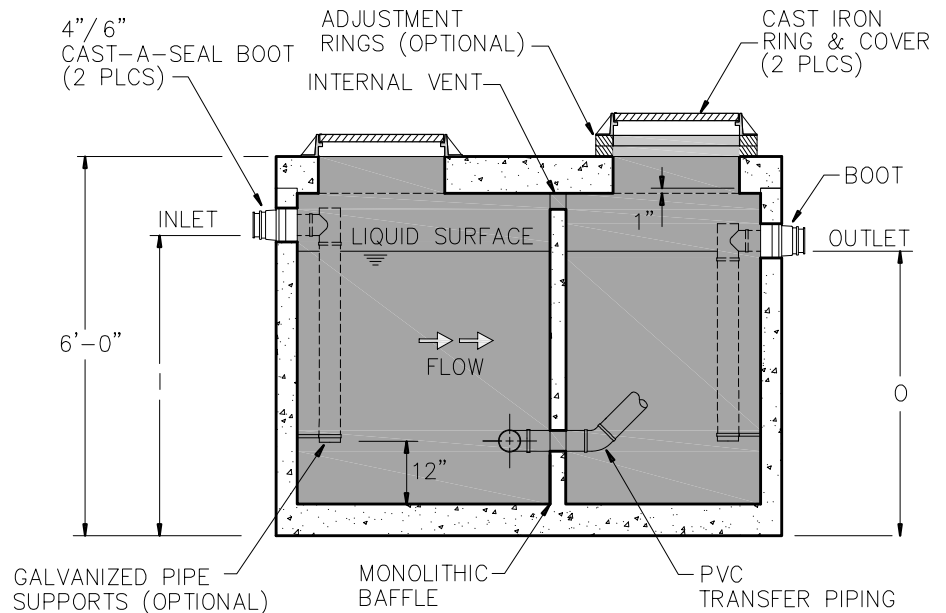


* MINIMUM EXCAVATION
9'-0" X 6'-0"



LEFT ELEVATION



SECTION A-A

NOTE: INLET/OUTLET PVC PIPING TO BE SUPPLIED BY CUSTOMER

GENERAL NOTES:

- DESIGN SPECIFICATIONS CONFORM TO ALL STATE AND LOCAL PLUMBING CODES.
- 4500 PSI CONCRETE AT 28 DAYS
- ASTM A615, GRADE 60 REINFORCING
- HS 20 LOADING

REINFORCEMENT (SLAB TOP)

#4 BARS @ PERIMETER OF THRU HOLE
#4 BARS @ 6" O.C.E.W.

REINFORCEMENT (BOTTOM SECTION)

#4 BARS @ 12" O.C.E.W. WALLS & FLOOR

Gals.	Grease Lbs.	Weight	Flow Rate GPM	
			Avg	Peak
750	2,000	12,465	5.7	14.2

Inlet/Outlet	4"	6"
I	57"	56"
O	54"	55"



9235 Main Street #1
P.O. Box 507
Needville, Texas, 77461
1-888-331-5871

"Providing Concrete Environmental Solutions"

GREASE INTERCEPTOR
750 GAL
(HEAVY DUTY)

NC-005-006

Scale: N.T.S.
* All Dimensions subject to allowable specification tolerances.

Date: 06/10/18

Rev Date: 11/28/22

Approved By: _____ Date: _____