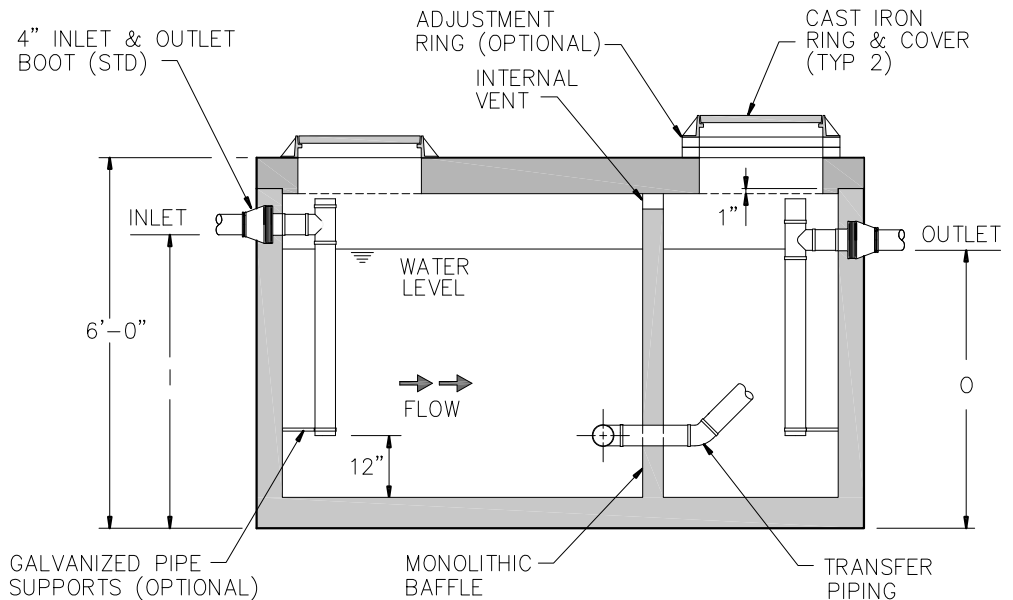


**LEFT ELEVATION**



**NOTE:** INLET/OUTLET PVC PIPING TO BE SUPPLIED BY CUSTOMER

**SECTION A-A**

**GENERAL NOTES:**

- DESIGN SPECIFICATIONS CONFORM TO ALL STATE AND LOCAL PLUMBING CODES.
- 4500 PSI CONCRETE AT 28 DAYS
- ASTM A615, GRADE 60 REINFORCING
- HS 20 LOADING

**REINFORCEMENT (SLAB TOP)**

#4 BARS @ PERIMETER OF THRU HOLE  
#4 BARS @ 6" O.C.E.W.

**REINFORCEMENT (BOTTOM SECTION)**

#4 BARS @ 12" O.C.E.W. WALLS & FLOOR

| Gals. | Grease Lbs. | Weight | Flow Rate GPM |      |
|-------|-------------|--------|---------------|------|
|       |             |        | Avg           | Peak |
| 1250  | 3,000       | 18,910 | 8.7           | 21.7 |

| Inlet/Outlet | 4"  | 6"   |
|--------------|-----|------|
| 1            | 57" | 55½" |
| 0            | 54" | 52½" |



9235 Main Street #1  
P.O. Box 507  
Needville, Texas, 77461  
1-888-331-5871

"Providing Concrete Environmental Solutions"

**GREASE INTERCEPTER  
1250 GAL  
(HEAVY DUTY)**

NC-005-008

Scale: 1/4"=1'-0"  
\* All Dimensions subject to allowable specification tolerances.

Date: 06/10/18

Approved By: \_\_\_\_\_ Date: \_\_\_\_\_