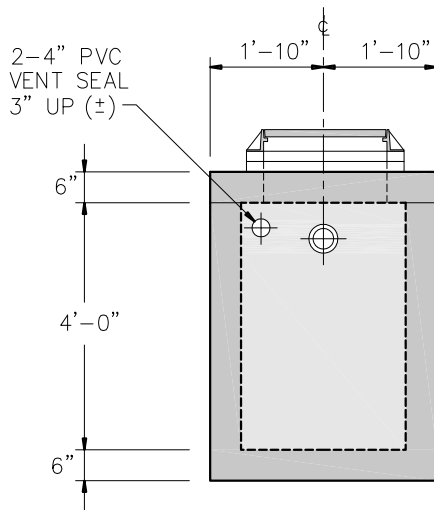
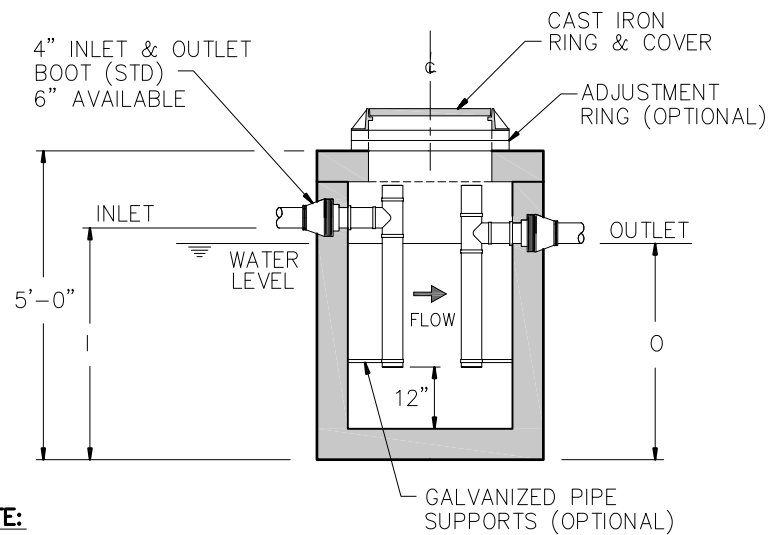


PLAN VIEW



LEFT ELEVATION



NOTE:
INLET/OUTLET PVC PIPING TO BE SUPPLIED BY CUSTOMER

SECTION A-A

GENERAL NOTES:

- DESIGN SPECIFICATIONS CONFORM TO ALL STATE AND LOCAL PLUMBING CODES.
- 4500 PSI CONCRETE AT 28 DAYS
- ASTM A615, GRADE 60 REINFORCING
- HS 20 LOADING

REINFORCEMENT (SLAB TOP)

#4 BARS @ PERIMETER OF THRU HOLE
#4 BARS @ 6" O.C.E.W.

REINFORCEMENT (BOTTOM SECTION)

#4 BARS @ 12" O.C.E.W. WALLS & FLOOR

Gals.	Grease Lbs.	Weight	Flow Rate GPM	
			Avg	Peak
150	400	5,810	1.1	2.8

Inlet/Outlet	4"	6"
I	45"	43 1/2"
O	42"	40 1/2"



9235 Main Street #1
P.O. Box 507
Needville, Texas, 77461
1-888-331-5871

"Providing Concrete Environmental Solutions"

**GREASE INTERCEPTOR
150 GAL
(HEAVY DUTY)**

NC-005-001

Scale: 1/4"=1'-0"
* All Dimensions subject to allowable specification tolerances.

Date: 07/11/18

Rev Date: 11/05/18

Approved By: _____ Date: _____