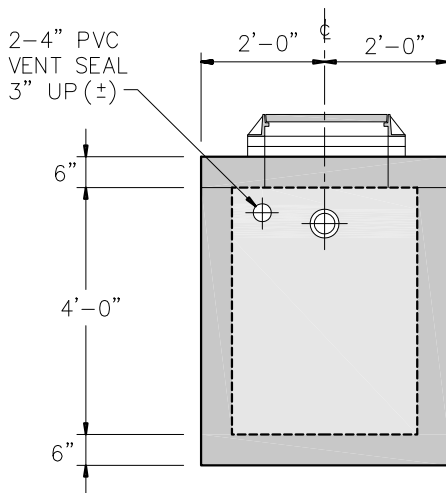
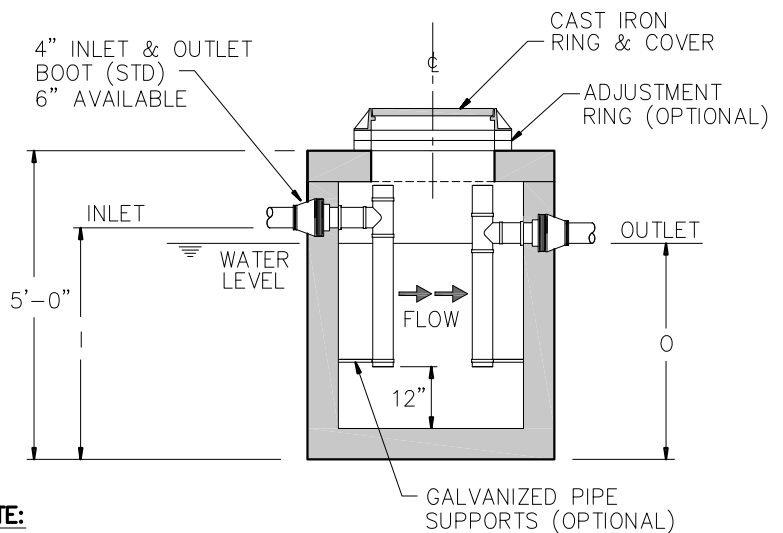


**PLAN VIEW**



**LEFT ELEVATION**



**SECTION A-A**

**NOTE:**  
INLET/OUTLET PVC PIPING TO BE SUPPLIED BY CUSTOMER

**GENERAL NOTES:**

- DESIGN SPECIFICATIONS CONFORM TO ALL STATE AND LOCAL PLUMBING CODES.
- 4500 PSI CONCRETE AT 28 DAYS
- ASTM A615, GRADE 60 REINFORCING
- HS 20 LOADING

**REINFORCEMENT (SLAB TOP)**

#4 BARS @ PERIMETER OF THRU HOLE  
#4 BARS @ 6" O.C.E.W.

**REINFORCEMENT (BOTTOM SECTION)**

#4 BARS @ 12" O.C.E.W. WALLS & FLOOR

Gals.	Grease Lbs.	Weight	Flow Rate GPM	
			Avg	Peak
200	470	6,600	1.3	3.3

Inlet/Outlet	4"	6"
1	45"	43 1/2"
0	42"	42 1/2"



"Providing Concrete Environmental Solutions"

9235 Main Street #1  
P.O. Box 507  
Needville, Texas, 77461  
1-888-331-5871

**GREASE INTERCEPTOR  
200 GAL  
(HEAVY DUTY)**

NC-005-002

Scale: 1/4"=1'-0"  
\* All Dimensions subject to allowable specification tolerances.

Date: 07/11/18

Rev Date: 11/05/18

Approved By: \_\_\_\_\_ Date: \_\_\_\_\_