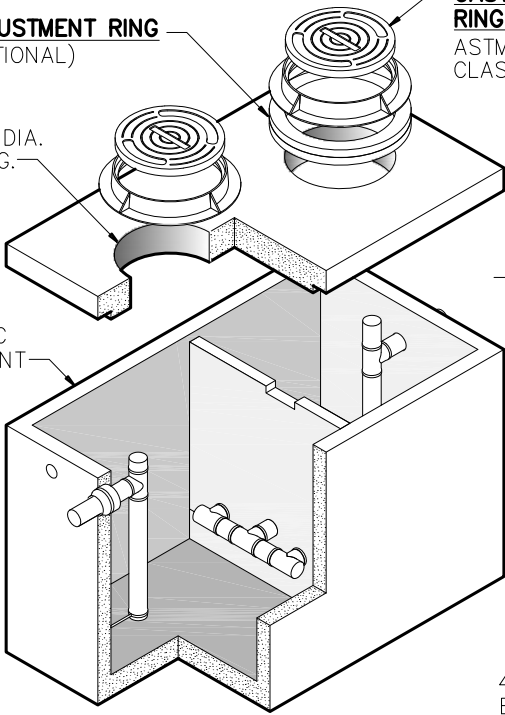


**ADJUSTMENT RING**  
(OPTIONAL)

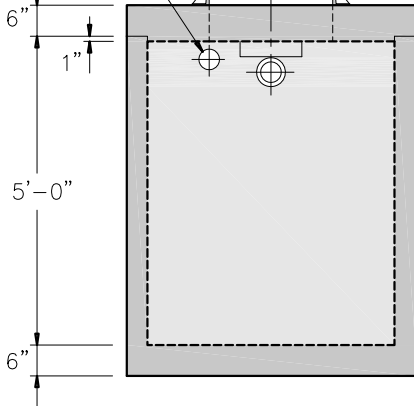
24" DIA.  
OPNG.

**CAST IRON RING & COVER**  
ASTM A48  
CLASS 30B

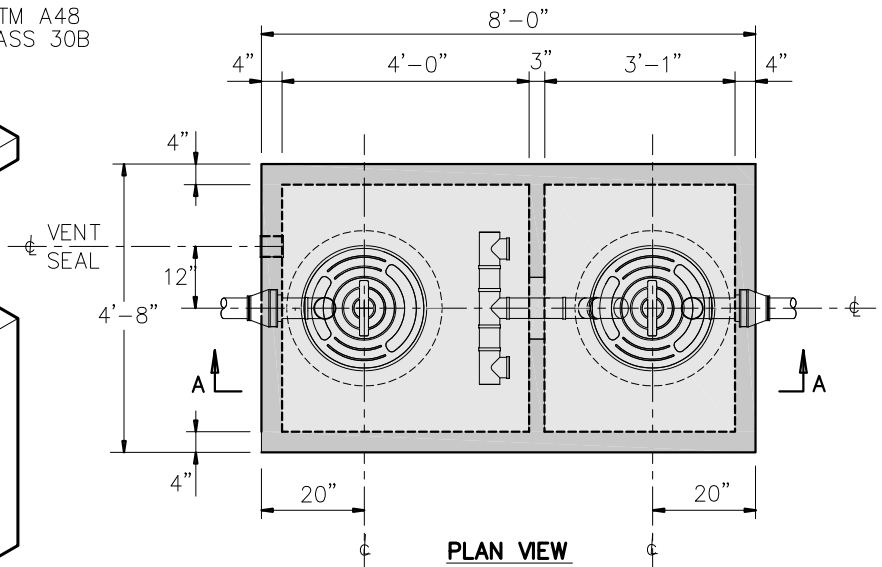
MASTIC SEALANT



2-4" PVC  
VENT SEAL  
3" UP (±)



**LEFT ELEVATION**

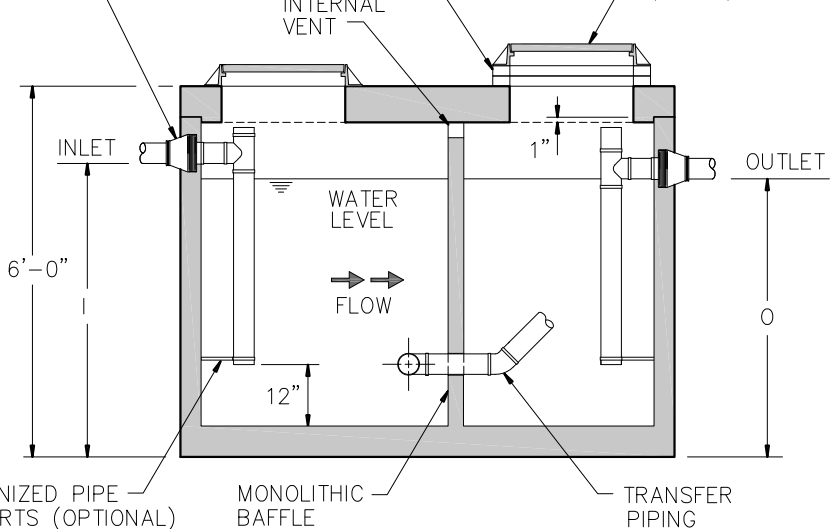


**PLAN VIEW**

4" INLET & OUTLET  
BOOT (STD)  
6" AVAILABLE

ADJUSTMENT  
RING (OPTIONAL)

CAST IRON  
RING & COVER  
(TYP 2)



**NOTE:** INLET/OUTLET PVC PIPING TO BE SUPPLIED BY CUSTOMER

**SECTION A-A**

**GENERAL NOTES:**

- DESIGN SPECIFICATIONS CONFORM TO ALL STATE AND LOCAL PLUMBING CODES.
- 4500 PSI CONCRETE AT 28 DAYS
- ASTM A615, GRADE 60 REINFORCING
- HS 20 LOADING

**REINFORCEMENT (SLAB TOP)**

#4 BARS @ PERIMETER OF THRU HOLE  
#4 BARS @ 6" O.C.E.W.

**REINFORCEMENT (BOTTOM SECTION)**

#4 BARS @ 12" O.C.E.W. WALLS & FLOOR

Gals.	Grease Lbs.	Weight	Flow Rate GPM	
			Avg	Peak
750	2,000	12,465	5.7	14.2

Inlet/Outlet	4"	6"
1	57"	55 1/2"
0	54"	52 1/2"



"Providing Concrete Environmental Solutions"

9235 Main Street #1  
P.O. Box 507  
Needville, Texas, 77461  
1-888-331-5871

**GREASE INTERCEPTOR  
750 GAL  
(HEAVY DUTY)**

NC-005-006

Scale: 1/4"=1'-0"  
\* All Dimensions subject to allowable specification tolerances.

Date: 06/10/18

Rev Date: 11/05/18

Approved By: \_\_\_\_\_ Date: \_\_\_\_\_