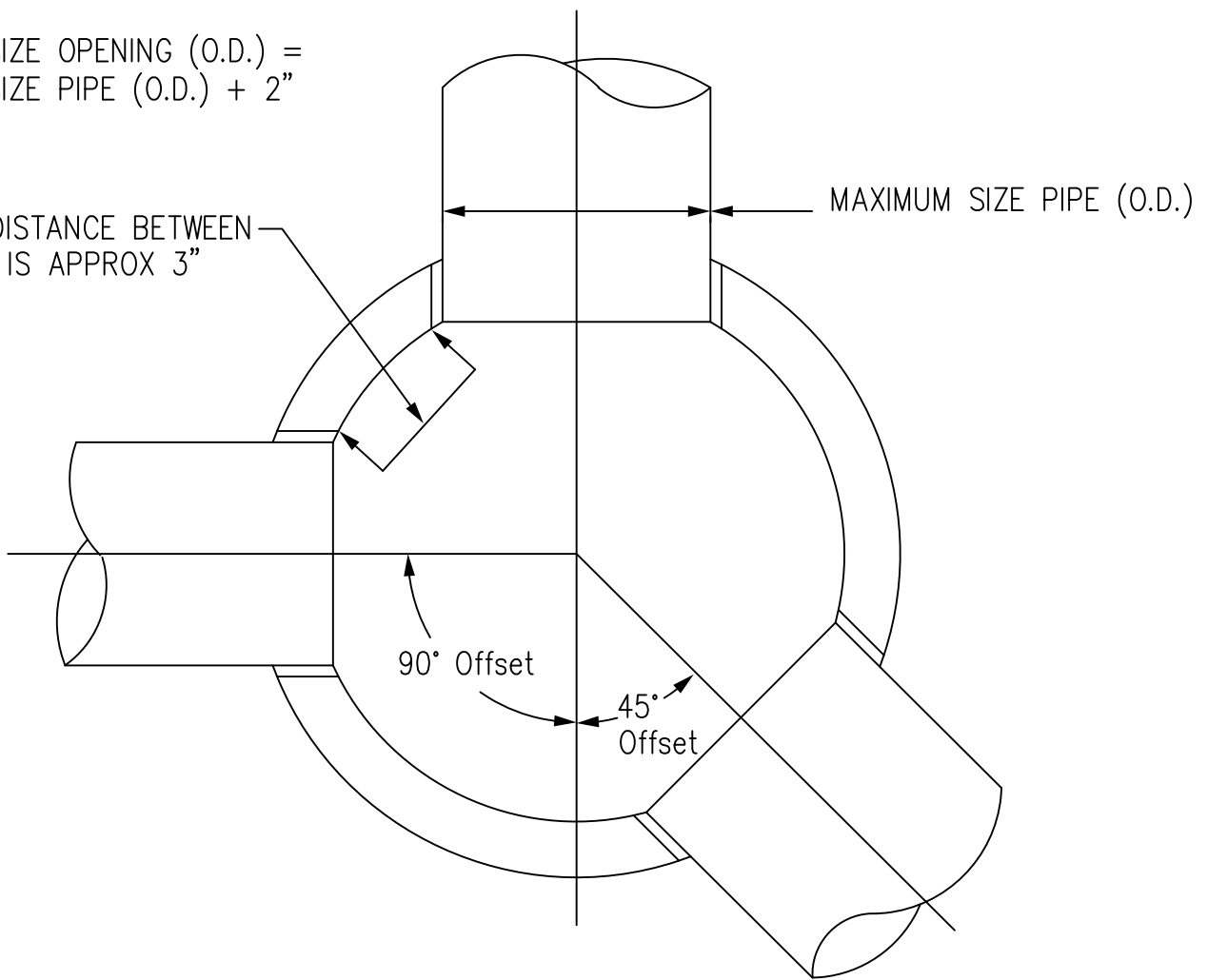


MAXIMUM SIZE OPENING (O.D.) =  
MAXIMUM SIZE PIPE (O.D.) + 2"

MINIMUM DISTANCE BETWEEN  
OPENINGS IS APPROX 3"



PRECAST MANHOLE-PLAN VIEW

MH DIAMETER INCHES	MAXIMUM SIZE PIPE (O.D.)		MAXIMUM SIZE OPENING (O.D.)	
	For straight and up to 45° Offset	For 90° Offset.	For straight and up to 45° Offset	For 90° Offset
48"φ	30 in.	29 in.	32 in.*	31 in.
60"φ	42 in.	38 in.	44 in.*	40 in.
72"φ	54 in.	46 in.	56 in.*	48 in.
84"φ	74 in.	55 in.	76 in.	57 in.
96"φ	78 in.	63 in.	80 in.*	65 in.

\* LIMITED BY RISER HEIGHT



9235 Main Street #1  
P.O. Box 507  
Needville, Texas, 77461  
1-888-331-5871

PRECAST ROUND MANHOLES  
MAXIMUM SIZE PIPE OPENING

"Providing Concrete Environmental Solutions"

Date: 31 MAY 2013

File: NCMAXOPNG\_RD

Scale: 3/4"=1'-0"

\* All Dimensions subject to allowable specification tolerances.

Approved By: \_\_\_\_\_

Date: \_\_\_\_\_