

PLAN VIEW

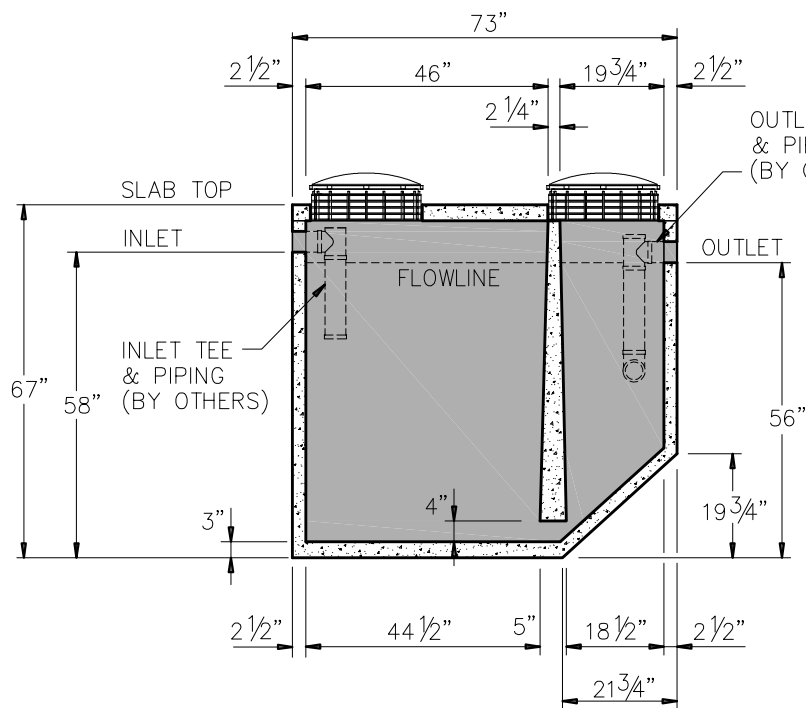
MODEL: B-800AO	
TANK -	LBS
SLAB TOP -	LBS
WEIGHT -	LBS

REINFORCEMENT (SLAB TOP)

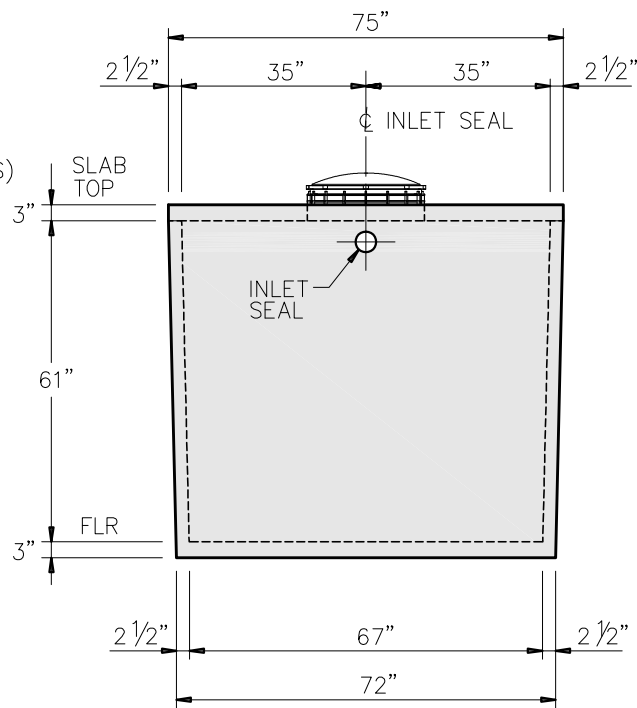
#3 BARS @ PERIMETER OF OPNGS
#3 BARS @ 6" O.C.E.W.

REINFORCEMENT (BASE)

WELDED WIRE MESH THOUGHOUT
ALL WALLS AND FLOOR
(.080 AREA/SQ IN)



SECTION A-A



LEFT ELEVATION

GENERAL NOTES:

- DESIGN SHALL MEET OR EXCEED ASTM C-1227 SPECIFICATIONS
- 4000 PSI CONCRETE AT 28 DAYS
- ASTM A615, GRADE 60 REINFORCING
- TREATMENT CAPACITY: 800 GPD
- MAXIMUM BURIAL DEPTH TO BE 40" SLAB TOP TO GRADE
- 20" ACCESS RISER, LID & SAFETY PAN (TYP)
- ADDITIONAL RISER AVAILABLE TO BRING ACCESS TO GRADE (NOT INCLUDED)



"Providing Concrete Environmental Solutions"

9235 Main Street #1
P.O. Box 507
Needville, Texas, 77461
1-888-331-5871

NUWATER 800 GPD
SINGLE TANK
AEROBIC TREATMENT UNIT
(TANK ONLY)

NC-008-008

Scale: N.T.S.
* All Dimensions subject to allowable specification tolerances.

Date: 10/03/19

Rev Date: 12/09/22

Approved By: _____ Date: _____