

Timer Setting Procedure for Grasslin Timer (FM/1 STUZH)

- 1) **-CAUTION!-** Before setting the timer, be sure all of the circuit breakers in the panel are in “OFF” position. This will prevent the risk of electrical shock and prevent damage to the timer itself during setting process.
- 2) Locate the timer, which should resemble the face of a clock. On the face of the timer should be a large white arrow and around the face should be several white tabs (see figure 1). To set the current time; locate the small white hand near the center of the timer. Also locate the large white arrow near the outside face of the timer near the plastic tabs (see figure 1). The large white arrow indicates the current hour (i.e. 8:00 p.m. in figure 1). Rotate the small white hand clockwise until the arrow is pointing at the current hour. Between the hours there are three small lines; these are 15 minute intervals. For example; to set current time at 7:30 a.m.; you would line the large white arrow with the second white line after the 7:00 a.m. (see figure 2).

FIGURE 1

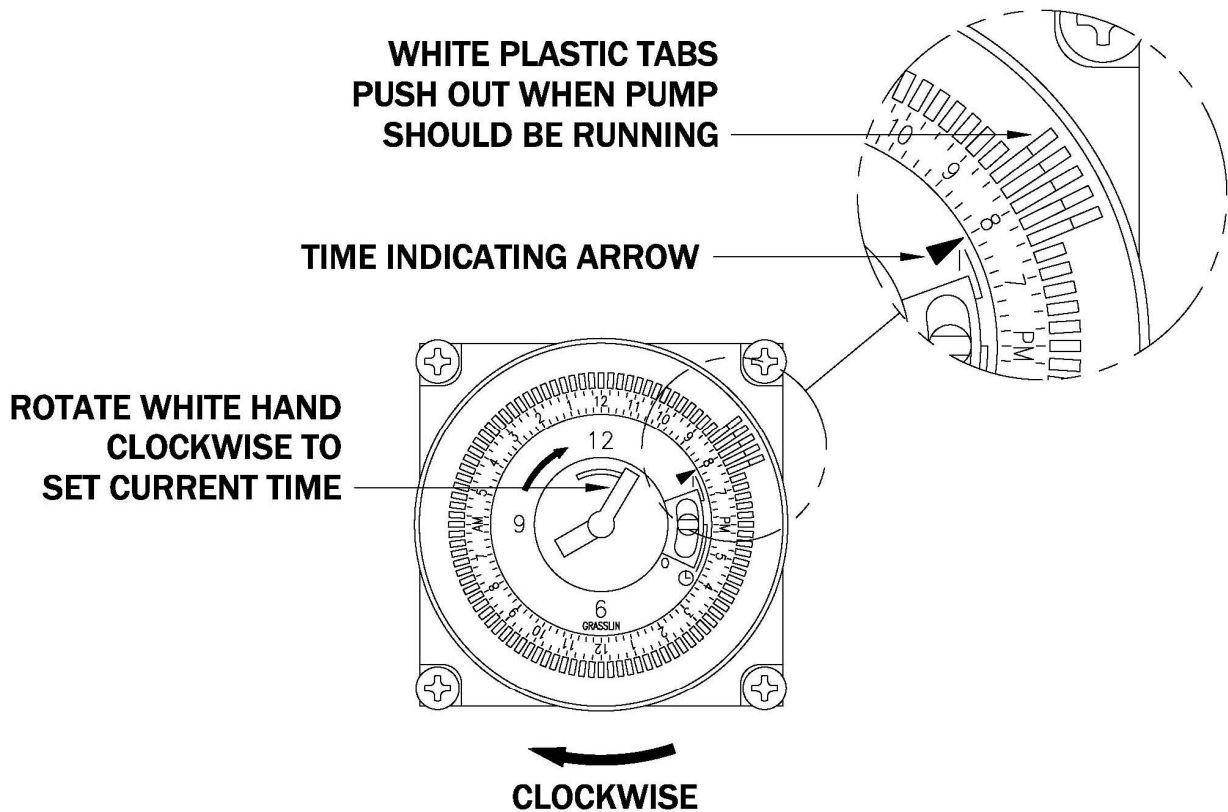
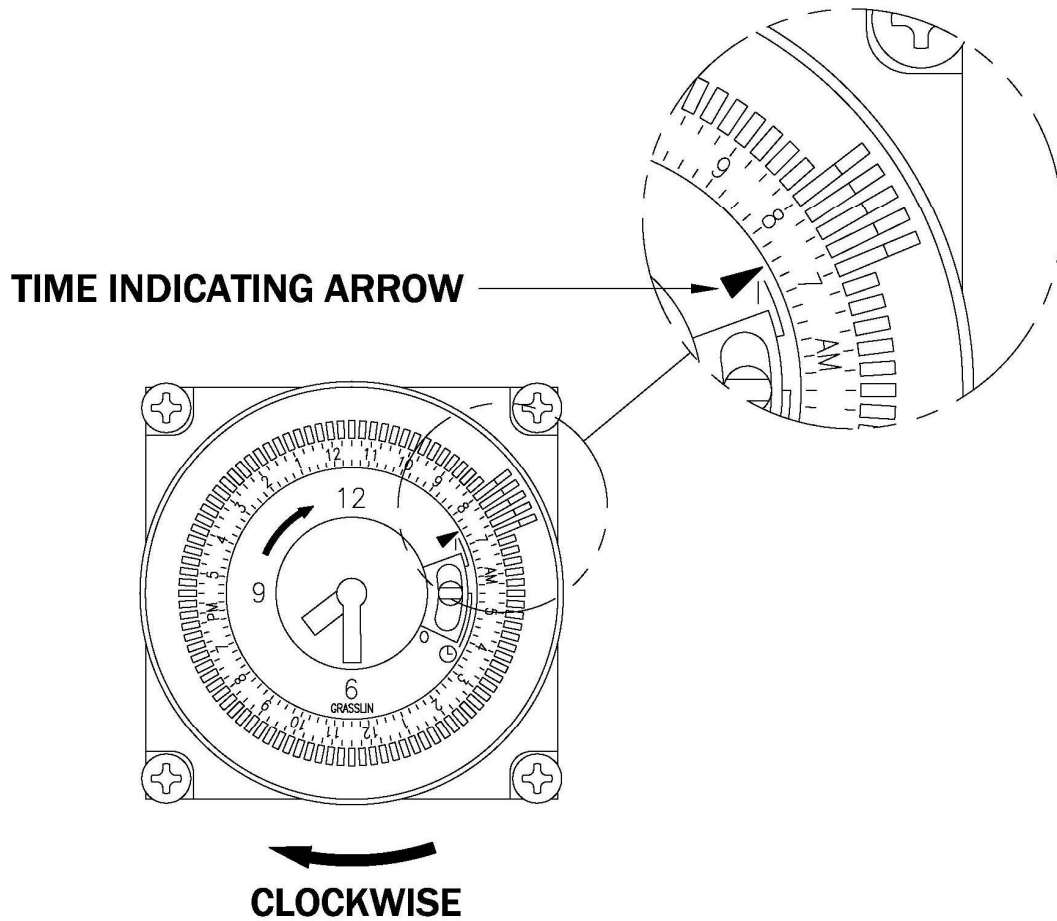


FIGURE 2



- 3) To set the time you want the pump to run; push the small white tabs towards the outside of the timer, When you want to pump to turn on (see figure 1). For example in figure 2; the pump would be on from 7:00 am to 8:15 am. Each tab would be a fifteen minute interval; Two tabs would be 30 minutes; Three tabs would be 45 minutes; and Four tabs would be 1 hour or 60 minutes.