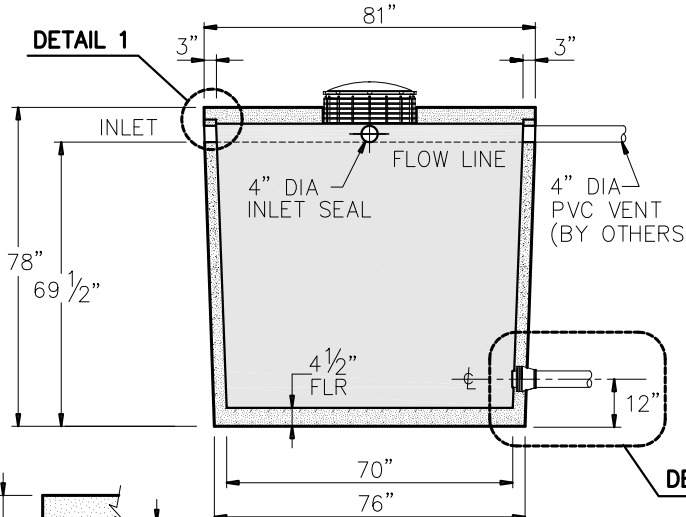
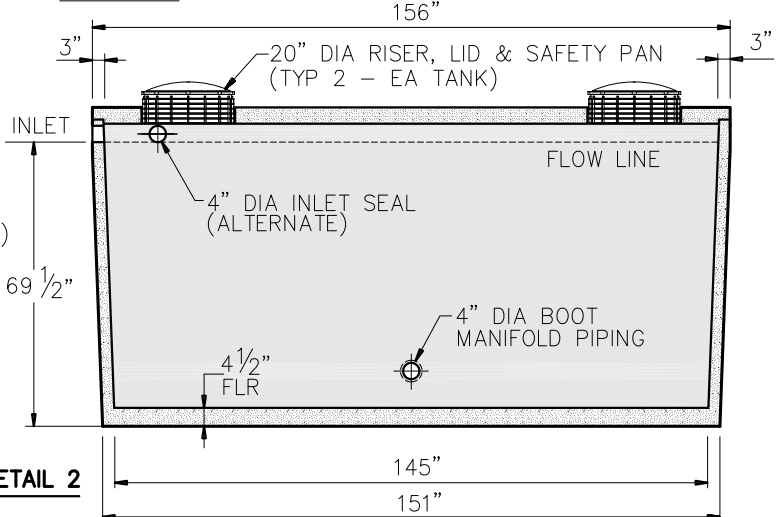


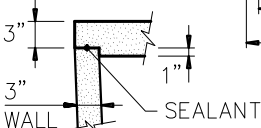
PLAN VIEW



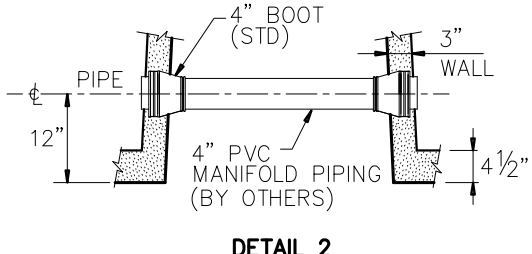
SECTION A-A



SECTION B-B



DETAIL 1



DETAIL 2

GENERAL NOTES:

- DESIGN SHALL MEET OR EXCEED EXCEED ASTM C-1227 SPECIFICATIONS
- 4000 PSI CONCRETE AT 28 DAYS
- ASTM A615, GRADE 60 REINFORCING
- BAR BENDING AND PLACEMENT PER ACI STANDARDS

NOTE: APPROX WEIGHTS INCLUDING SLAB TOPS & BOTTOM SECTIONS
 WEIGHT - 16,550 LBS EA TANK
 CAPACITY - 9030 GAL
 46.3 GALS PER INCH (APPROX)



"Providing Concrete Environmental Solutions"

9235 Main Street #1
 P.O. Box 507
 Needville, Texas, 77461
 1-888-331-5871

9000 GALLON
 MANIFOLDED
 PUMP TANKS

NC-004-031

Scale: 1/4"=1'-0"
 * All Dimensions subject to allowable specification tolerances.

Date: 05/08/19

Rev Date:

Approved By: _____ Date: _____