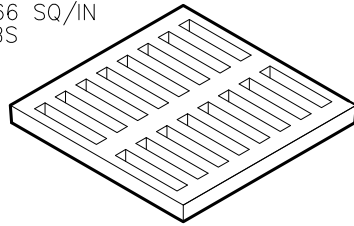


CAST IRON ASTM A-48 CLASS 30B

12" X 12"

CAST IRON GRATE

OPEN AREA - 66 SQ/IN  
WEIGHT - 18 LBS

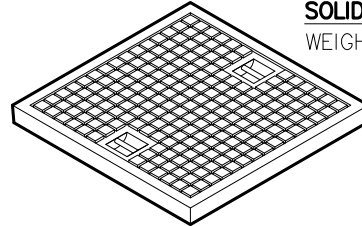


12" X 12"

CAST IRON

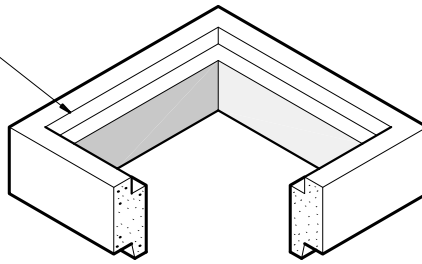
SOLID COVER (OPTIONAL)

WEIGHT - 20 LBS



GROVE TO ACCEPT GRATE

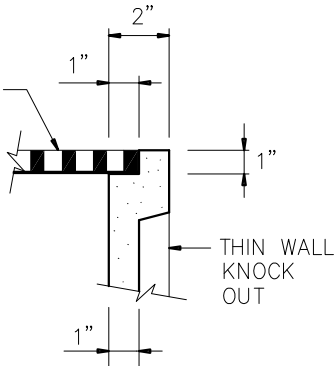
VARIES



RISER SECTION (OPTIONAL)

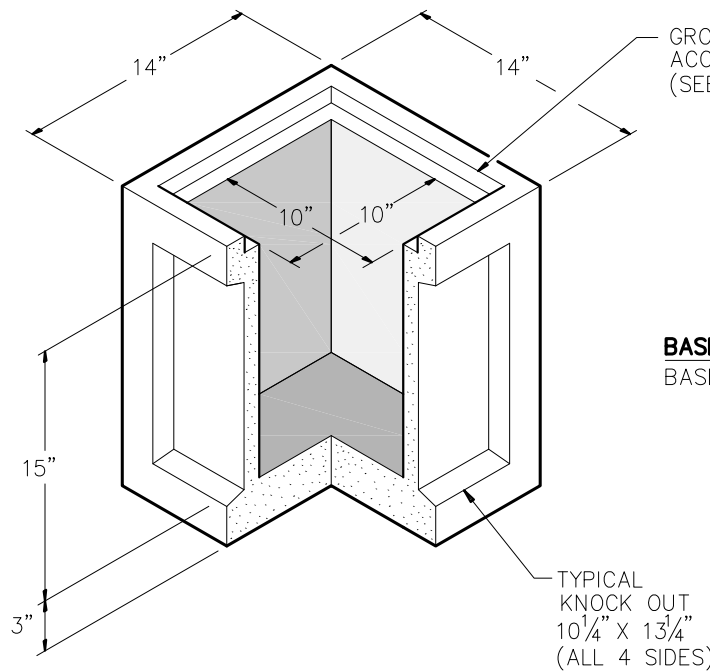
4" HEIGHT - 45 LBS  
6" HEIGHT - 65 LBS  
12" HEIGHT - 130 LBS

GRATE / SOLID COVER



TYP WALL DETAIL

GROVE TO ACCEPT GRATE (SEE WALL DETAIL)



BASE SECTION

BASE - 125 LBS

TYPICAL KNOCK OUT  
10 1/4" X 13 1/4"  
(ALL 4 SIDES)

CATCH BASIN

GENERAL NOTES:

- NOT FOR TRAFFIC USE
- 4500 PSI CONCRETE AT 28 DAYS
- ALL PIPE & JOINT CONNECTIONS TO BE GROUTED PER SPECIFICATIONS.



"Providing Concrete Environmental Solutions"

9235 Main Street #1  
P.O. Box 507  
Needville, Texas, 77461  
1-888-331-5871

12" X 12"  
CATCH BASIN  
(10" X 10" X 15" I.D.)

NC-003-001

Scale: 1"=1'-0"  
\* All Dimensions subject to allowable specification tolerances.

Date: 03/12/18

Rev Date: 10/18/18

Approved By: \_\_\_\_\_ Date: \_\_\_\_\_