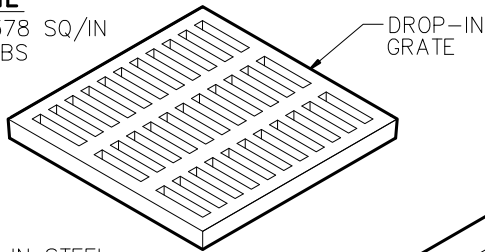


CAST IRON ASTM A-48 CLASS 30B

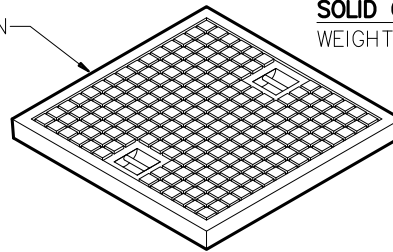
**27" X 27"
CAST IRON GRATE**

OPEN AREA - 378 SQ/IN
WEIGHT - 145 LBS

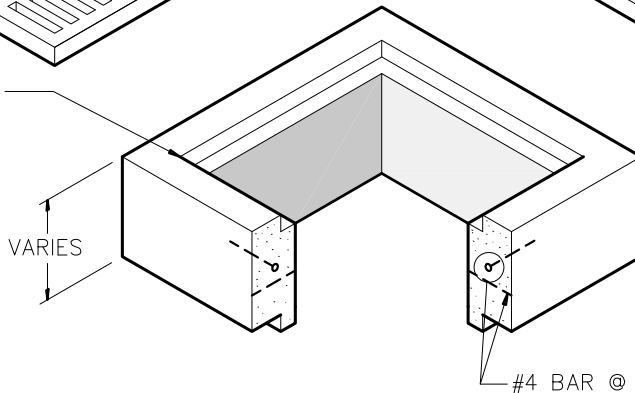


**27" X 27"
CAST IRON
SOLID COVER (OPTIONAL)**

WEIGHT - 155 LBS



CAST-IN STEEL
FRAME (OPTIONAL)



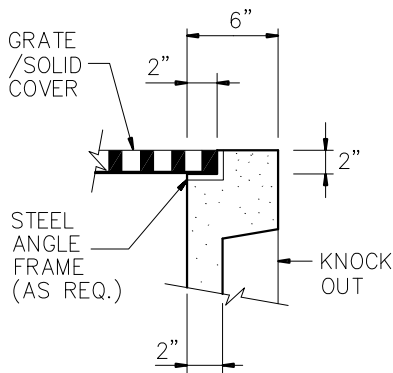
NOTE:
(OPTIONAL)
ADA GRATE AVAILABLE

RISER SECTION (OPTIONAL)

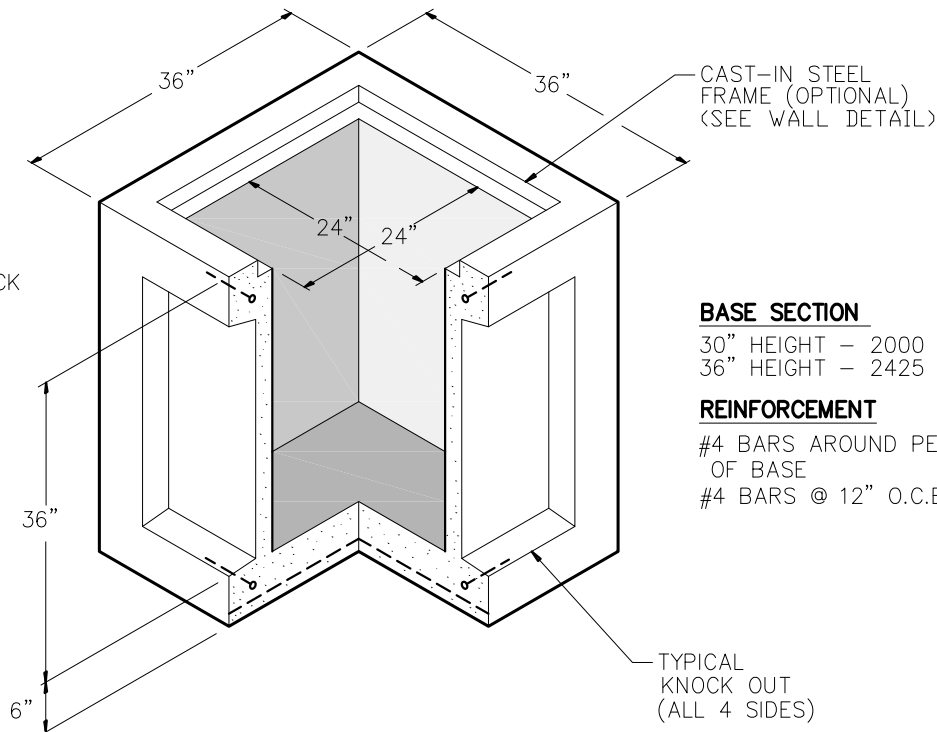
6" HEIGHT - 375 LBS
12" HEIGHT - 750 LBS
24" HEIGHT - 1500 LBS

NOTE:
AVAILABLE WITH OR WITHOUT
STEEL CAST-IN FRAME

#4 BAR @ 6" O.C.E.W.



TYP WALL DETAIL



BASE SECTION

30" HEIGHT - 2000 LBS
36" HEIGHT - 2425 LBS (STD. HT.)

REINFORCEMENT

#4 BARS AROUND PERIMETER
OF BASE
#4 BARS @ 12" O.C.E.W. FLOOR

TYPICAL
KNOCK OUT
(ALL 4 SIDES)

GENERAL NOTES:

- DESIGN SHALL MEET OR EXCEED ASTM C-913 SPECIFICATIONS.
- 4500 PSI CONCRETE AT 28 DAYS
- ATSM A615, GRADE 60 REINFORCING
- H-20 LOADING
- ALL PIPE & JOINT CONNECTIONS TO BE GROUTED PER SPECIFICATIONS.

CATCH BASIN



9235 Main Street #1
P.O. Box 507
Needville, Texas, 77461
1-888-331-5871

"Providing Concrete Environmental Solutions"

**24" X 24"
CATCH BASIN**

NC-003-005

Scale: 1/2"=1'-0"
* All Dimensions subject to allowable specification tolerances.

Date: 03/19/18

Rev Date: 10/18/18

Approved By: _____ Date: _____