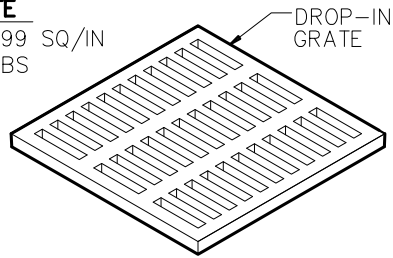


CAST IRON ASTM A-48 CLASS 30B

34" X 34"

CAST IRON GRATE

OPEN AREA - 499 SQ/IN
WEIGHT - 280 LBS

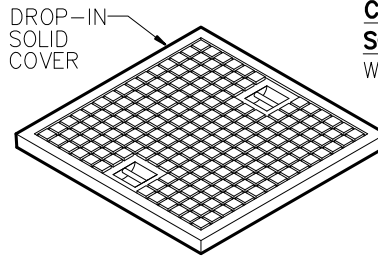


DROP-IN GRATE

34" X 34"

CAST IRON SOLID COVER (OPTIONAL)

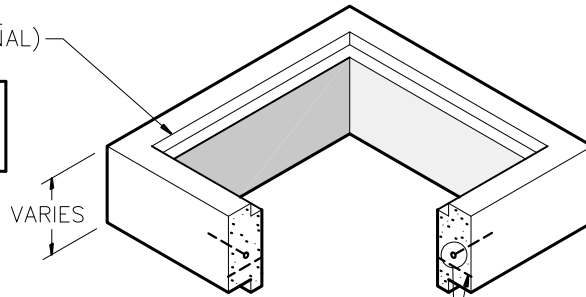
WEIGHT - 300 LBS



DROP-IN SOLID COVER

CAST-IN STEEL FRAME (OPTIONAL)

NOTE:
(OPTIONAL)
ADA GRATE AVAILABLE



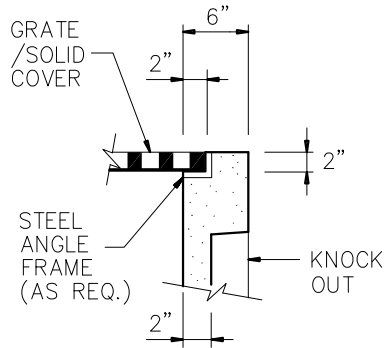
VARIES

RISER SECTION (OPTIONAL)

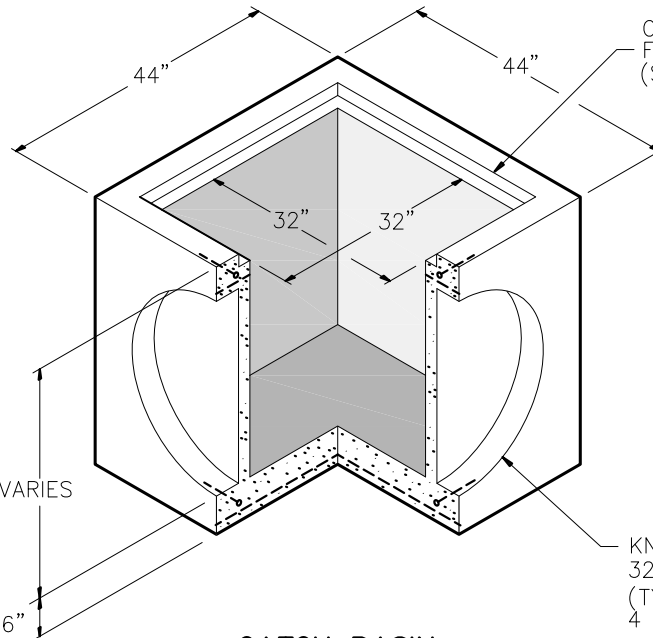
6" HEIGHT - 475 LBS
12" HEIGHT - 950 LBS
24" HEIGHT - 1900 LBS
36" HEIGHT - 2850 LBS

NOTE:
AVAILABLE WITH OR WITHOUT
STEEL CAST-IN FRAME

#4 BAR @ 6" O.C.E.W.



TYP WALL DETAIL



CAST-IN STEEL FRAME (OPTIONAL)
(SEE WALL DETAIL)

BASE SECTION

36" HEIGHT - 3860 LBS (STD. HT.)
42" HEIGHT - 4230 LBS

REINFORCEMENT

#4 BARS AROUND PERIMETER OF BASE
#4 BARS @ 12" O.C.E.W. FLOOR

KNOCK OUT
32" DIA.
(TYPICAL ALL 4 SIDES)

CATCH BASIN

GENERAL NOTES:

- DESIGN SHALL MEET OR EXCEED ASTM C-913 SPECIFICATIONS.
- 4500 PSI CONCRETE AT 28 DAYS
- ATSM A615, GRADE 60 REINFORCING
- H-20 LOADING
- ALL PIPE & JOINT CONNECTIONS TO BE GROUTED PER SPECIFICATIONS.



9235 Main Street #1
P.O. Box 507
Needville, Texas, 77461
1-888-331-5871

"Providing Concrete Environmental Solutions"

32" X 32"
CATCH BASIN

NC-003-006

Scale: 3/8"=1'-0"
* All Dimensions subject to allowable specification tolerances.

Date: 03/19/18

Rev Date: 10/18/18

Approved By: _____ Date: _____