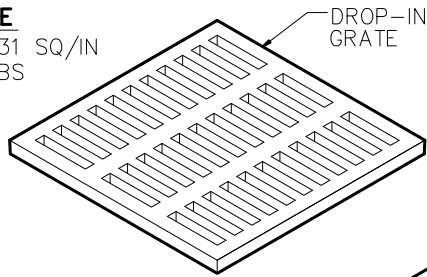


CAST IRON ASTM A-48 CLASS 30B

38" X 38"

CAST IRON GRATE

OPEN AREA - 631 SQ/IN
WEIGHT - 470 LBS

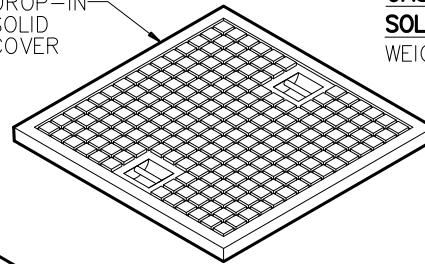


DROP-IN SOLID COVER

38" X 38"

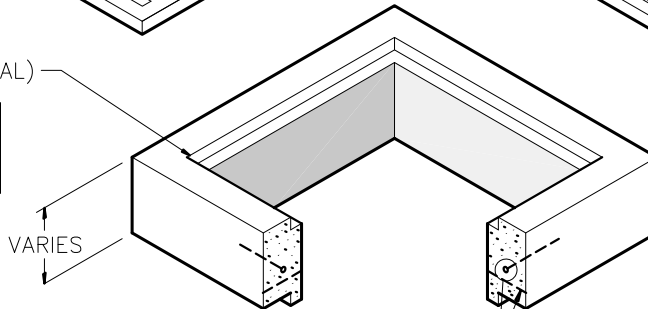
CAST IRON SOLID COVER (OPTIONAL)

WEIGHT - 500 LBS



CAST-IN STEEL FRAME (OPTIONAL)

NOTE:
(OPTIONAL)
ADA GRATE AVAILABLE



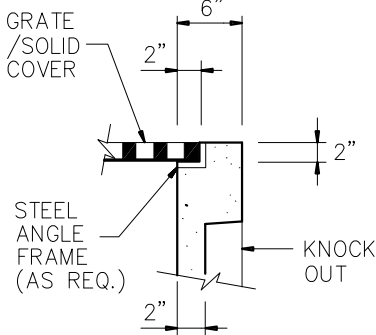
VARIES

RISER SECTION (OPTIONAL)

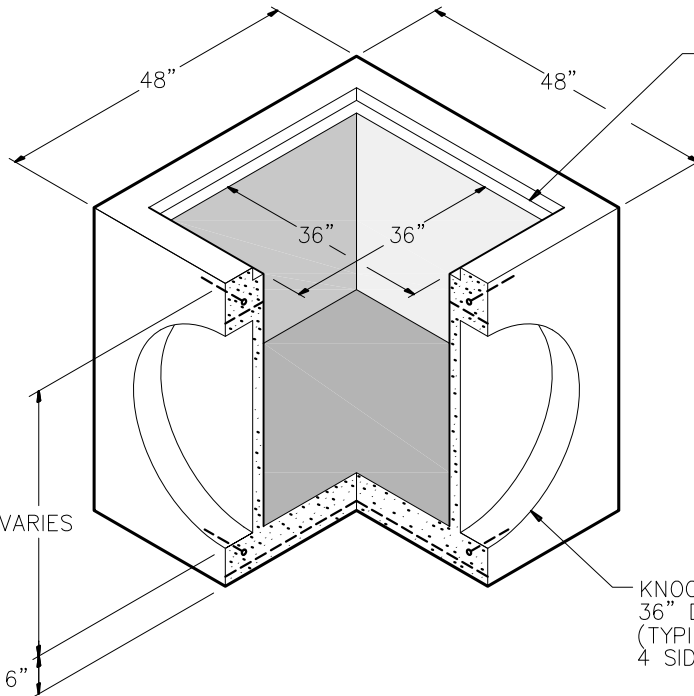
6" HEIGHT - 475 LBS
12" HEIGHT - 950 LBS
24" HEIGHT - 1900 LBS
36" HEIGHT - 2850 LBS

NOTE:
AVAILABLE WITH OR WITHOUT
STEEL CAST-IN FRAME

#4 BAR @ 6" O.C.E.W.



TYP WALL DETAIL



CAST-IN STEEL FRAME (OPTIONAL)
(SEE WALL DETAIL)

BASE SECTION

36" HEIGHT - 4350 LBS
42" HEIGHT - 4675 LBS (STD. HT.)
48" HEIGHT - 5400 LBS

REINFORCEMENT

#4 BARS AROUND PERIMETER OF BASE
#4 BARS @ 12" O.C.E.W. FLOOR

KNOCK OUT
36" DIA.
(TYPICAL ALL 4 SIDES)

GENERAL NOTES:

- DESIGN SHALL MEET OR EXCEED ASTM C-913 SPECIFICATIONS.
- 4500 PSI CONCRETE AT 28 DAYS
- ATSM A615, GRADE 60 REINFORCING
- H-20 LOADING
- ALL PIPE & JOINT CONNECTIONS TO BE GROUTED PER SPECIFICATIONS.

CATCH BASIN



9235 Main Street #1
P.O. Box 507
Needville, Texas, 77461
1-888-331-5871

36" X 36"
CATCH BASIN

"Providing Concrete Environmental Solutions"

NC-003-007

Scale: 3/8"=1'-0"
* All Dimensions subject to allowable specification tolerances.

Date: 03/19/18

Rev Date: 10/18/18

Approved By: _____ Date: _____