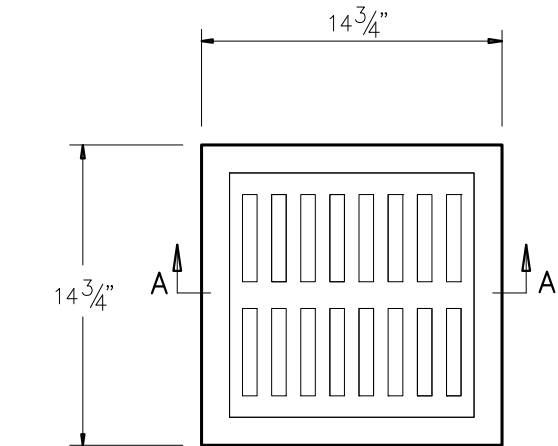
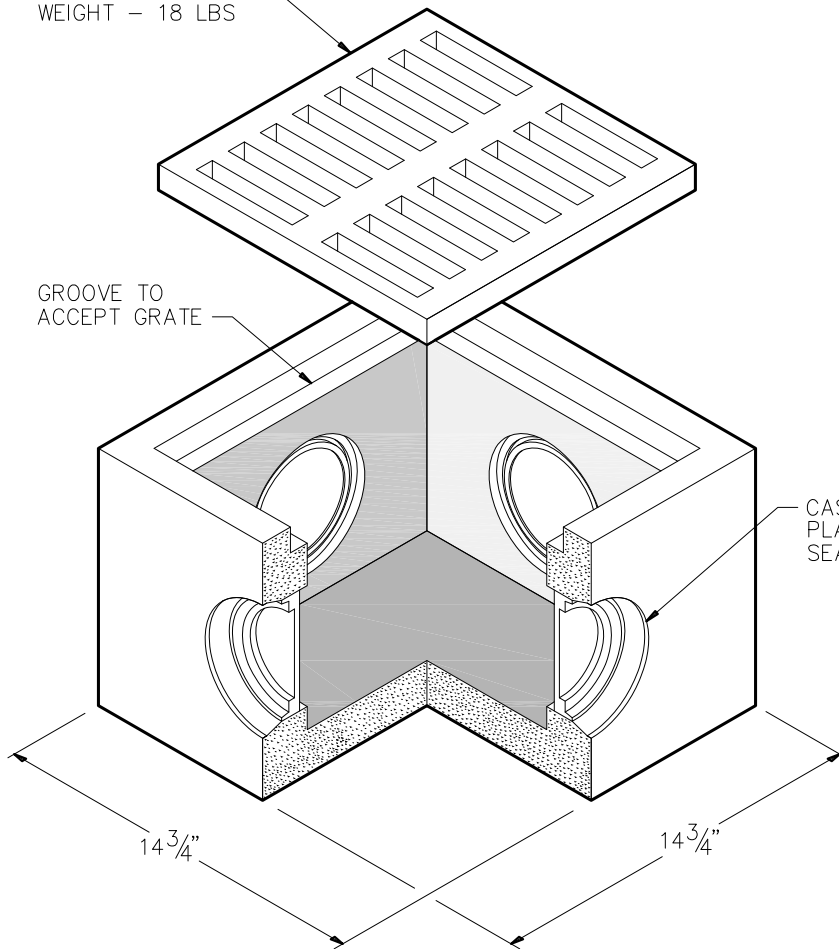


12" X 12"
CAST IRON GRATE
 WEIGHT - 18 LBS

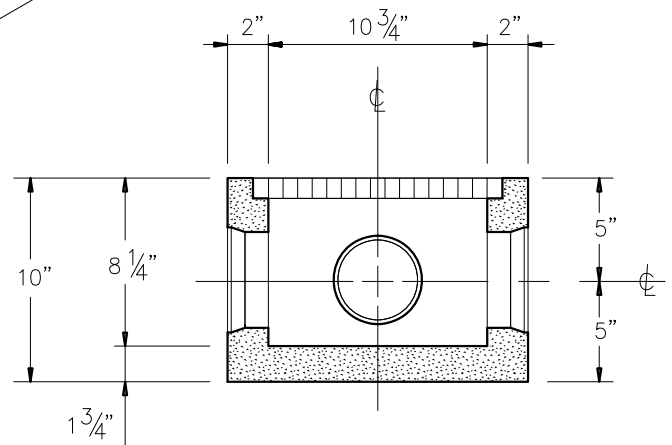
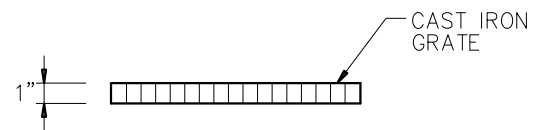
GROOVE TO
 ACCEPT GRATE



PLAN VIEW



DRAIN BOX
 WEIGHT - 37 LBS



SECTION A-A

GENERAL NOTES:

- CAST IN PLASTIC SEAL ACCEPTS 2", 3" & 4" PVC & CORRUGATED PIPE.
- NOT FOR TRAFFIC USE



9235 Main Street #1
 P.O. Box 507
 Needville, Texas, 77461
 1-888-331-5871

"Providing Concrete Environmental Solutions"

YARD DRAIN BOX

NC-003-031

Scale: 1"=1'-0"
 * All Dimensions subject to allowable specification tolerances.

Date: 07/11/18

Rev Date: 11/27/18

Approved By: _____ Date: _____