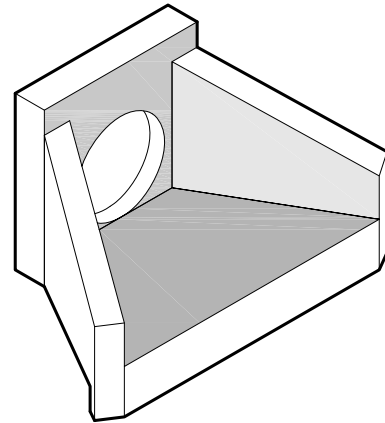
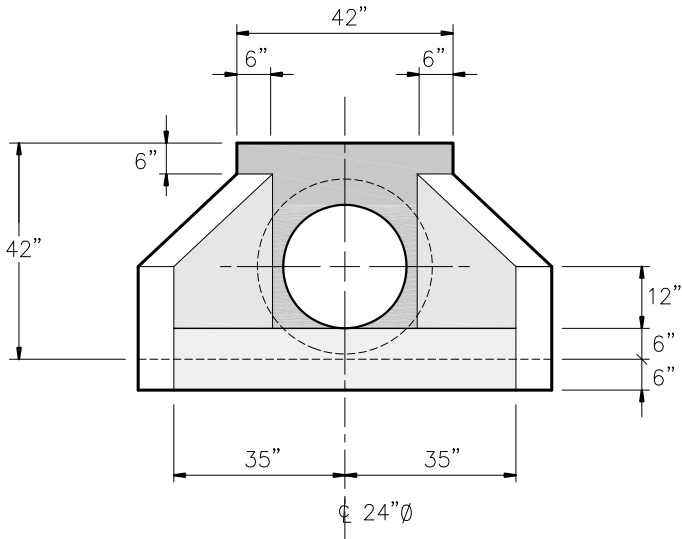


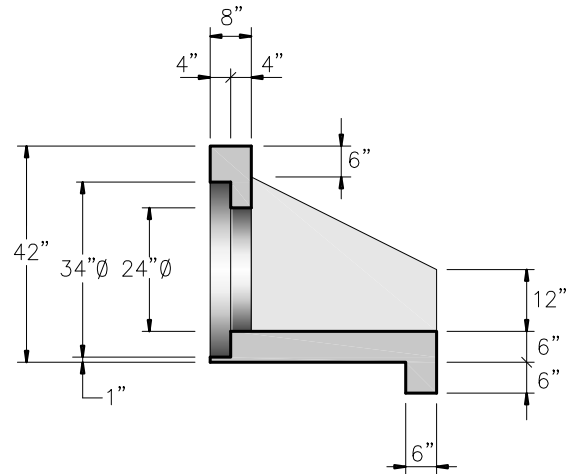
**PLAN VIEW**  
 APROX WEIGHT - 2,350 LBS



**NC HEADWALL**  
**ISOMETRIC VIEW**



**ELEVATION**



**SECTION A-A**

**GENERAL NOTES:**

- 4500 PSI CONCRETE AT 28 DAYS
- ASTM A615, GRADE 60 REINFORCING
- HS 20 LOADING

**REINFORCEMENT:**

#4 BARS @ 9" O.C. E.W.  
 OR EQUIV. W.W.M.



"Providing Concrete Environmental Solutions"

9235 Main Street #1  
 P.O. Box 507  
 Needville, Texas, 77461  
 1-888-331-5871

24" NC HEADWALL

NC-006-065

Scale: 1/4"=1'-0"  
 \* All Dimensions subject to allowable specification tolerances.

Date: 03/05/19

Rev Date:

Approved By: \_\_\_\_\_ Date: \_\_\_\_\_