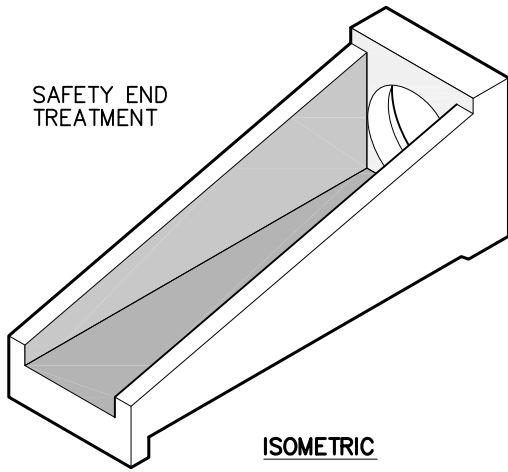
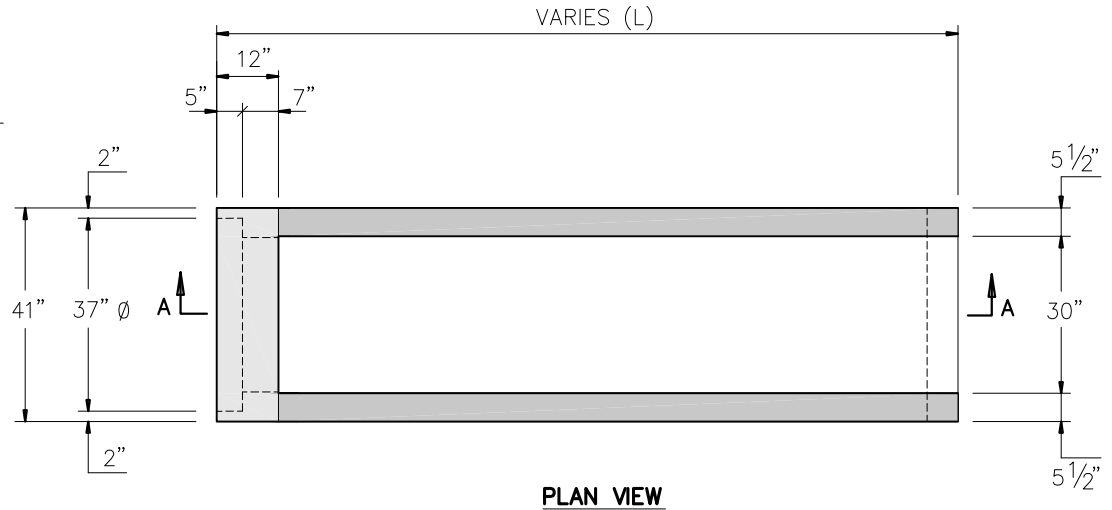


SAFETY END TREATMENT

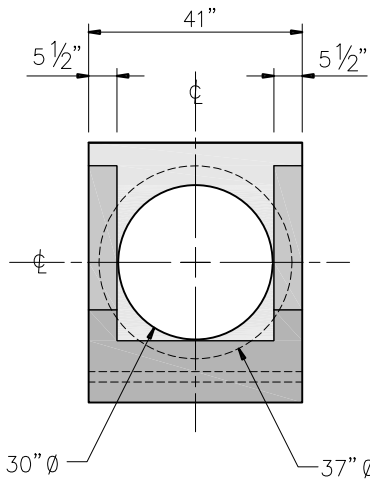
Pipe I.D.	Slope (S)	Length (L)	Weight (Lbs)
30"	3:1	7'-8"	4500
	4:1	9'-4"	6600
	6:1	13'-8"	7500



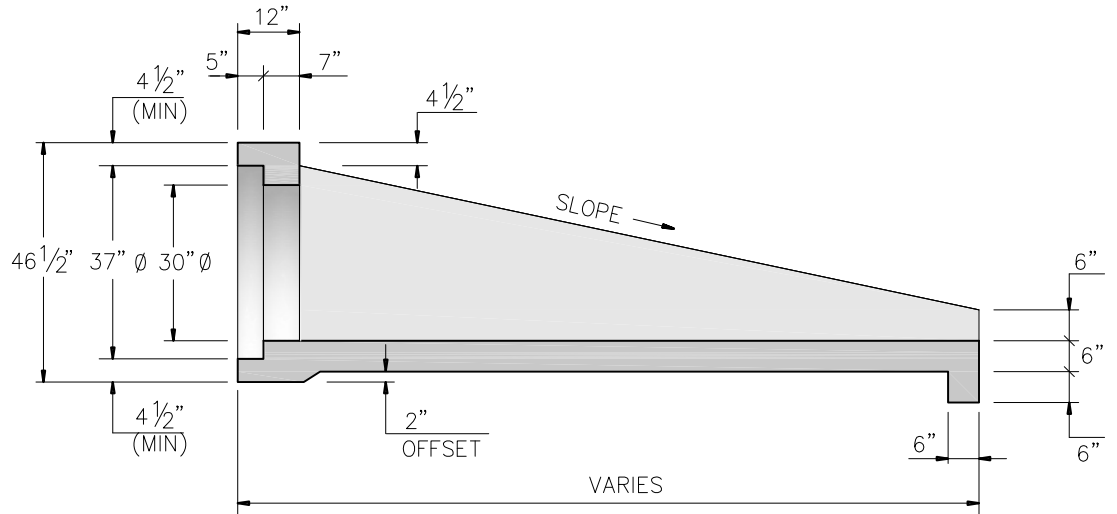
ISOMETRIC



PLAN VIEW



ELEVATION



SECTION A-A

**GENERAL NOTES:**

- 4500 PSI CONCRETE AT 28 DAYS
- ATSM A615, GRADE 60 REINFORCING

**REINFORCEMENT:**

#4 BARS @ 9" O.C. E.W.  
OR EQUIV. W.W.M.



"Providing Concrete Environmental Solutions"

9235 Main Street #1  
P.O. Box 507  
Needville, Texas, 77461  
1-888-331-5871

30" RCP PRECAST  
SAFETY END TREATMENT

NC-006-021

Scale: 1/4"=1'-0"  
\* All Dimensions subject to allowable specification tolerances.

Date: 08/17/18

Rev Date: 11/16/18

Approved By: \_\_\_\_\_ Date: \_\_\_\_\_